

Manuals+

User Manuals Simplified.



Maytronics 99996203-USW ACTIVE 20 Robotic Pool Cleaner User Guide

November 20, 2021 November 23, 2021

[Home](#) » [maytronics](#) » Maytronics 99996203-USW ACTIVE 20 Robotic Pool Cleaner User Guide 📄



Quick start guide

ACTIVE 20



Thank you for purchasing Waytraks Robotic Pool Cleaner.

The Robotic Pool Cleaners by Maytronics deliver advanced cleaning technologies, long-lasting performance, and easy maintenance. You and your family will be free to enjoy swimming with full confidence that your pool is completely clean.

Contents [[hide](#)]

- [1 Cautions & Warnings](#)
- [2 Helpful hints](#)
- [3 Dolphin Power Supply](#)
- [4 WEEKLY TIMER](#)
- [5 Robot operation](#)
- [6 Operation](#)
- [7 Cleaning the filter](#)
- [8 Storage](#)
- [9 Maintenance](#)
- [10 Documents / Resources](#)
 - [10.1 Related Manuals / Resources](#)

 **Cautions & Warnings**

- Use the originally supplied power supply only.
- Do not use an extension cable in any case
- Ensure the electrical outlet is protected by a ground fault interrupter (GFI) or an earth leakage interrupter.
- Keep the power supply out of standing water.
- Do not enter the pool while the Pool Cleaner is
- Unplug the power supply before servicing.
- Do not use the cable to take the pool cleaner out of the water.
- Use the Pool Cleaner in the following water conditions only: Chlorine Max 4 ppm; pH 7.0 – 7.8; Temperature 6 -34°C (43-93°F); NaCl Maximum = 5000 ppm.

Digital Power Supply

Input:100-125 AC Volts 50-60 Hertz

120 Watt

Output: <30 VOC

IP 54

Specifications:

Motor protection: IP 68
Minimum depth: 0.80m/2.6ft
Maximum depth: 5m/16.4ft



Helpful hints

- When working, the Power Supply should be placed in the shade.
- If the Dolphin is fitted with combined or wonder rushes, gently squeeze the brushes until they are soaked with water.
- Release minimal required floating cable length to ensure proper pool coverage. Leave excess cable rolled outside the pool.
- After each cleaning cycle washes the filters or cartridge. Clogged filters reduce scanning and cleaning efficiency.
- To remove the kinks stretch the cable out completely and let it sit for at least a day in the sun.
- Store the pool cleaner in a shady place on its Caddy, if not on a caddy, place the pool cleaner upside down.

Dolphin Power Supply

BASIC OPERATION

1. Plug the Power supply into an electrical outlet.
2. Press the **ON** button. The LEDs will turn on and the robot will start to operate. If no program is selected, the robot will perform a single cleaning cycle. The Power Supply will turn off automatically after 3 hours.
3. You can program the power supply at any time. See the relevant section below for more details on each program.

*Bluetooth is not available for this model



WEEKLY TIMER

Your robot has a Weekly Timer feature that enables you to set an automatic cleaning schedule for the week ahead.

When the power supply is switched on, you can press the Weekly Timer button to select one of the following cleaning schedule options for the week ahead:



One-click – The robot will automatically work every day for a full cycle, that is, once a day for 7 days.



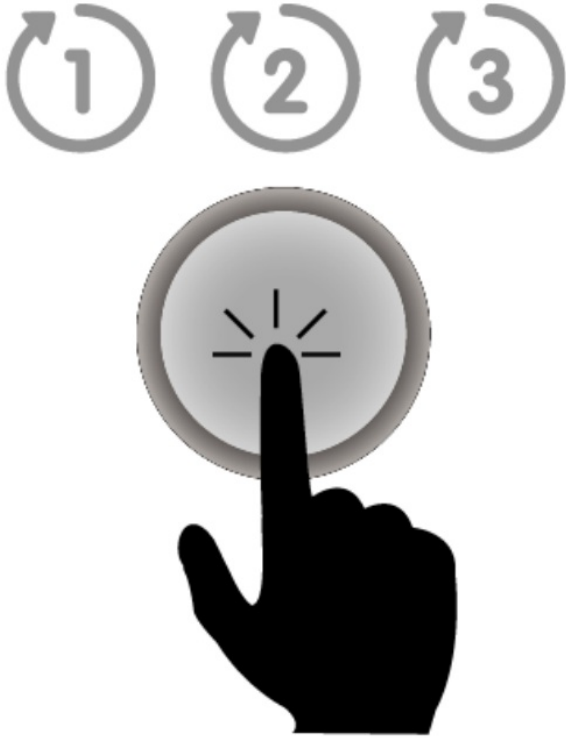
Two clicks – The robot will automatically work every alternate day for a full cycle, that is, 4 times a week.



C3 Three clicks – The robot will automatically work every 3 days, that is, 3 times in a week.

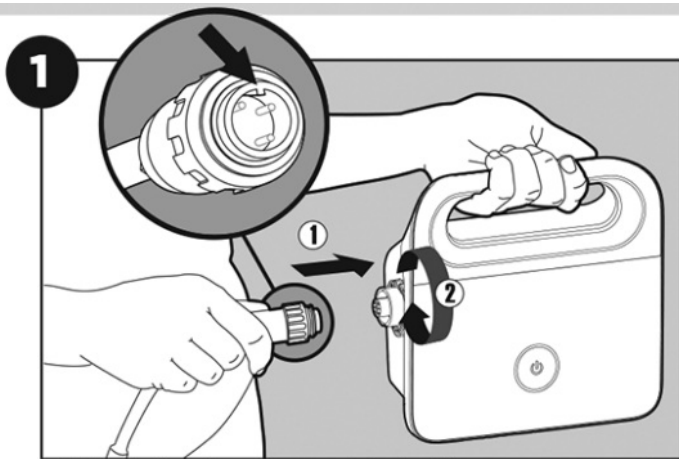
After selecting one of the above options, the robot will start to operate at the next occurrence of the programmed start time.

Note: A fourth click will cancel the cleaning schedule program (without a visible indication). If the robot is working in Weekly Timer mode, the Weekly Timer button constantly blinks between cycles. At the end of the week, the power supply automatically switches off and you need to reschedule the robot.

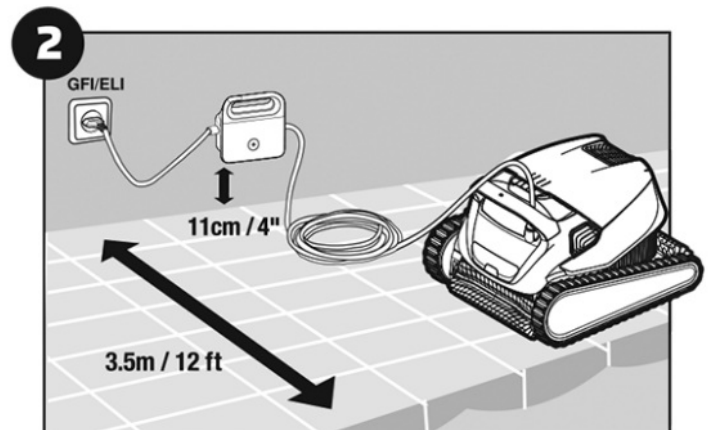


Robot operation

Set Up



Attach the floating cable to the power supply.



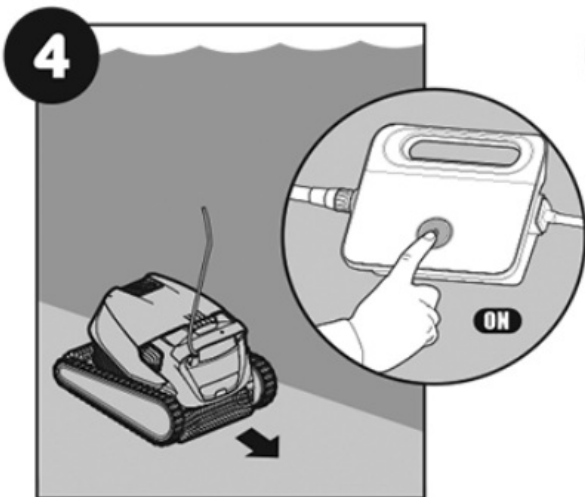
Position the power supply at least 3.5m / 12ft away from the edge of the pool.

Into the pool



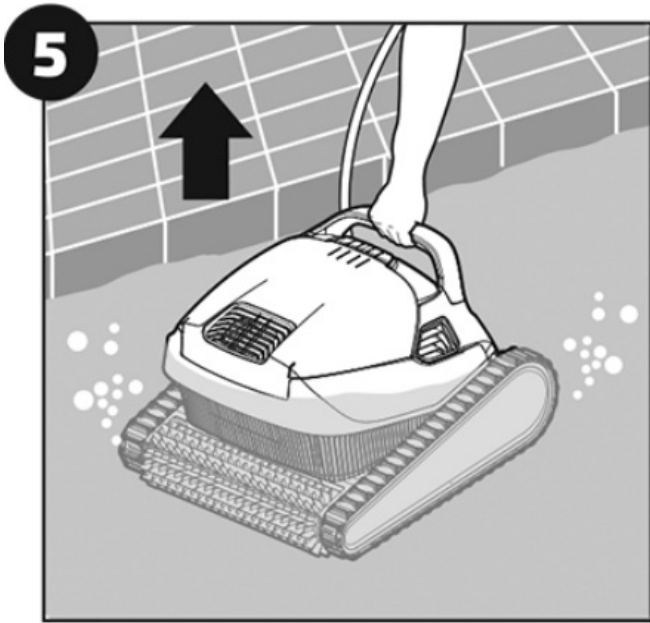
Put the Pool Cleaner into the pool. Release the Pool Cleaner and let it sink to the floor of the pool. Make sure that the floating cable is free of any obstructions.

Operation



Turn the power supply ON. The pool cleaner will now operate until it has reached the end of the cleaning cycle.

Out of the pool



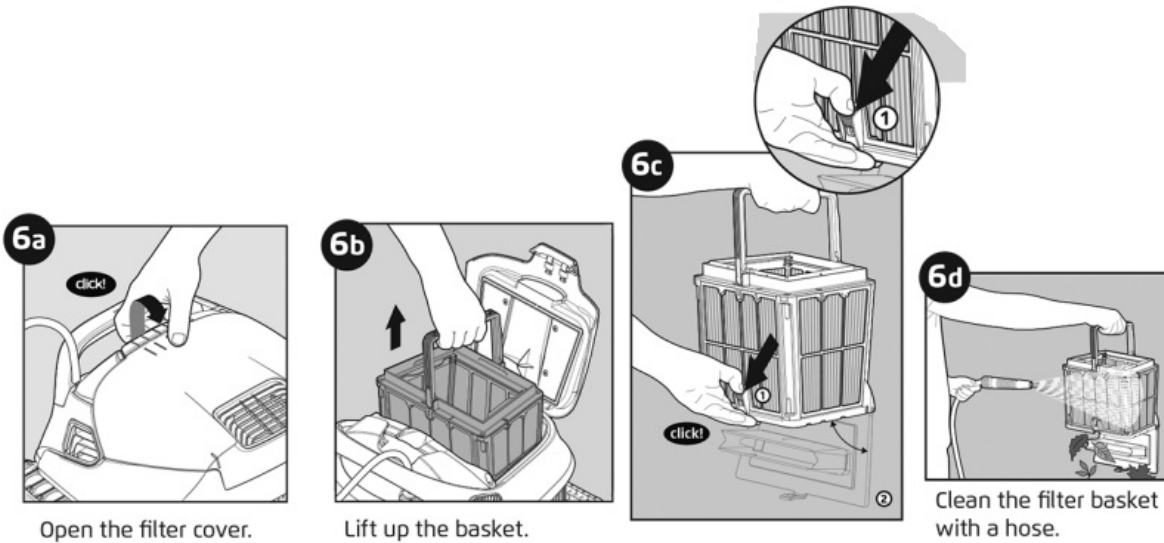
Cleaning the filter

It is highly recommended to clean the filter basket after each cleaning cycle.

Note: Don't let the filter cartridges dry out before cleaning.

⚠️ Unplug the power supply before servicing

Open the latch to release the bottom lid in order to remove the debris.



Storage

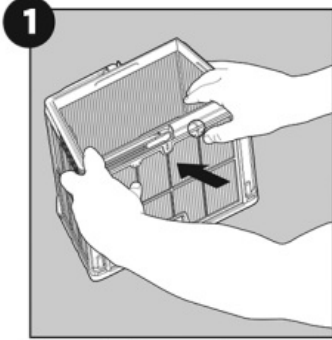
Coil the cable and store it in a cool, dry place. Do NOT store the robot and its accessories where it will be exposed to direct sunlight, excessive heat, or frost.



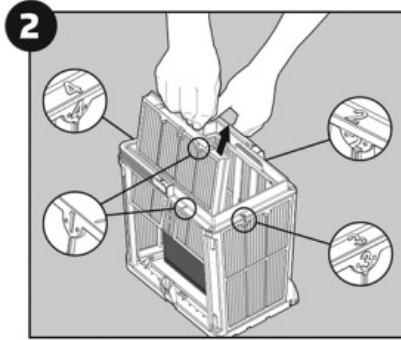
Maintenance

Periodic filter cleaning

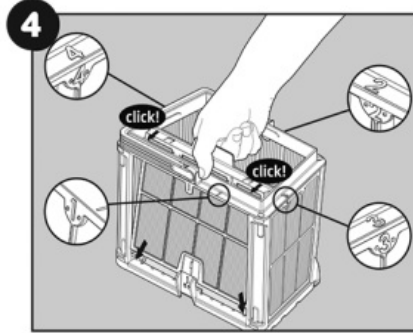
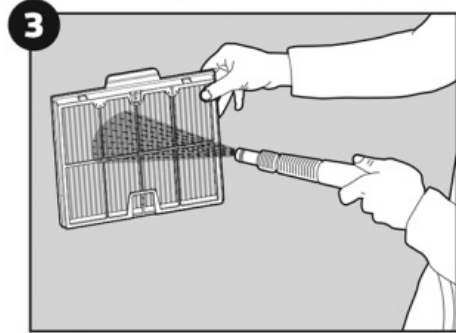
Dismantle the 4 ultra-fine filter panels of the outer basket according to the following steps:



Dismantle the panels, starting with pressing on panel no.1 using your thumbs.




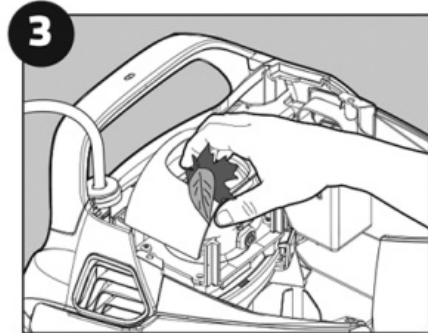
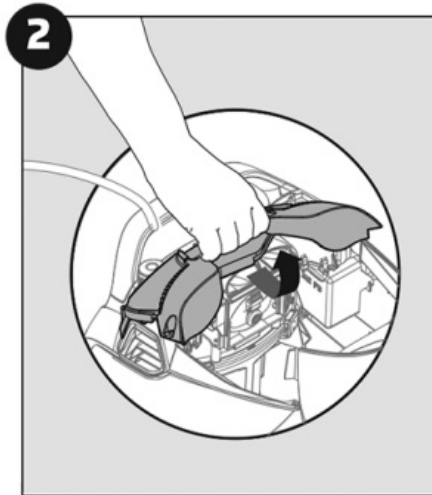
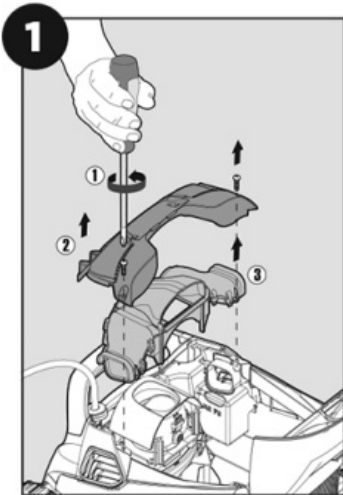
Continue to dismantle the panels in the order of their numbers: no.2--> no.3--> no. 4.



Cleaning the impeller

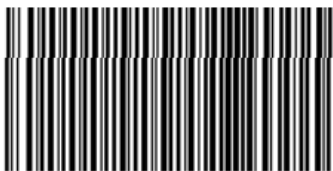
If you notice debris trapped in the impeller:

 Unplug the power supply before servicing. Clean the debris trapped in the impeller opening, according to the following steps:



USW

99996203-



99996203-USW

For online product warranty registration:
registration.maytronics.com



For a detailed manual (including videos):
manuals.maytronics.com/en/9999620B-USW



<http://manuals.maytronics.com/99996203-USW>

Documents / Resources



[Maytronics 99996203-USW ACTIVE 20 Robotic Pool Cleaner](#) [pdf] User Guide
99996203-USW, ACTIVE 20 Robotic Pool Cleaner

Related Manuals / Resources



[20*20 Wood Top Side Table Instructions](#)

20*20 Wood Top Side Table Parts List Table Top Table legs Long Bolt Nut Feet
Wrench Washers Assembly...



[Lenovo L22e-20 User Manual](#)

Lenovo L22e-20 User Manual - Optimized PDF
Lenovo L22e-20 User Manual - Original PDF

[Samsung Galaxy Watch Active User Manual](#)

Samsung Galaxy Watch Active User Manual - Download [optimized]
Samsung Galaxy Watch Active User Manual - Download



[Aquaguard ASTOR Active Copper User Manual](#)

ASTOR Active Copper

[Manuals+](#)

- [home](#)
- [privacy](#)