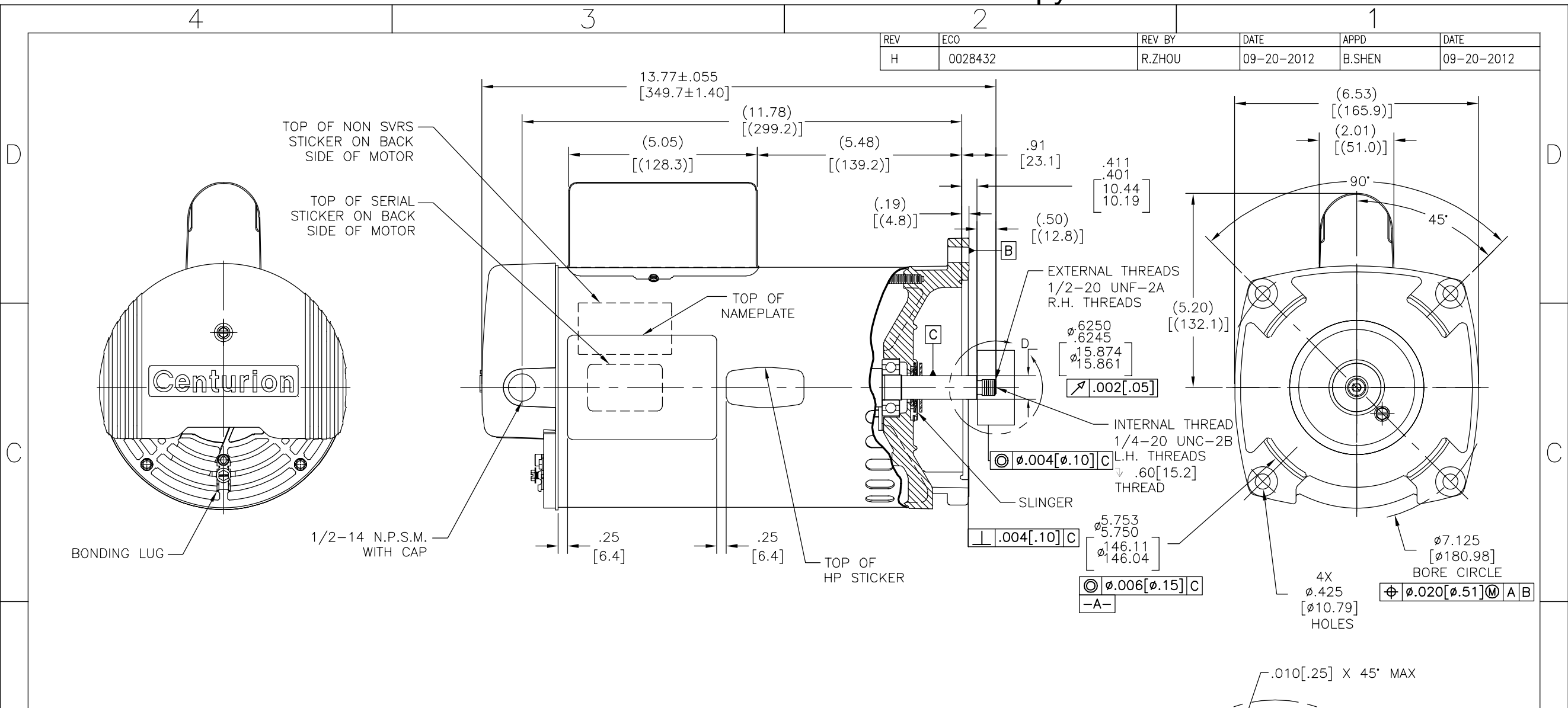
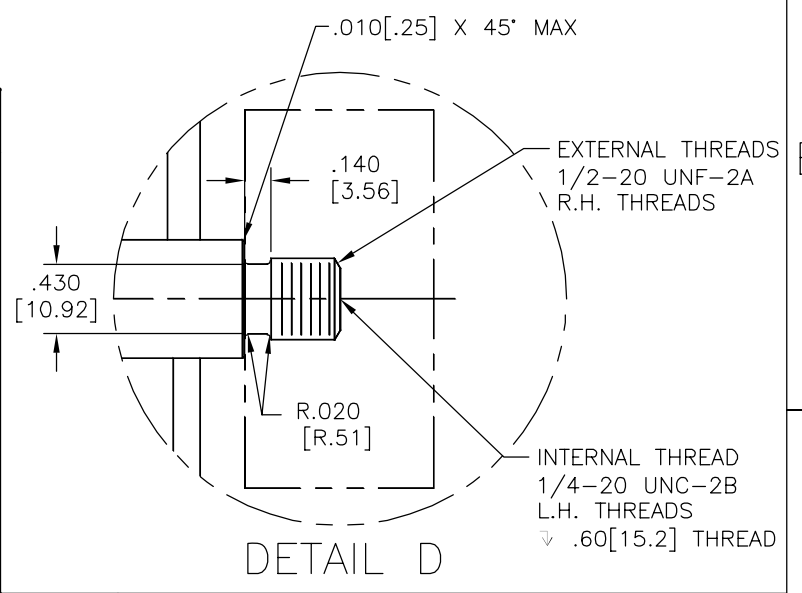


REV	ECO	REV BY	DATE	APPD	DATE
H	0028432	R.ZHOU	09-20-2012	B.SHEN	09-20-2012

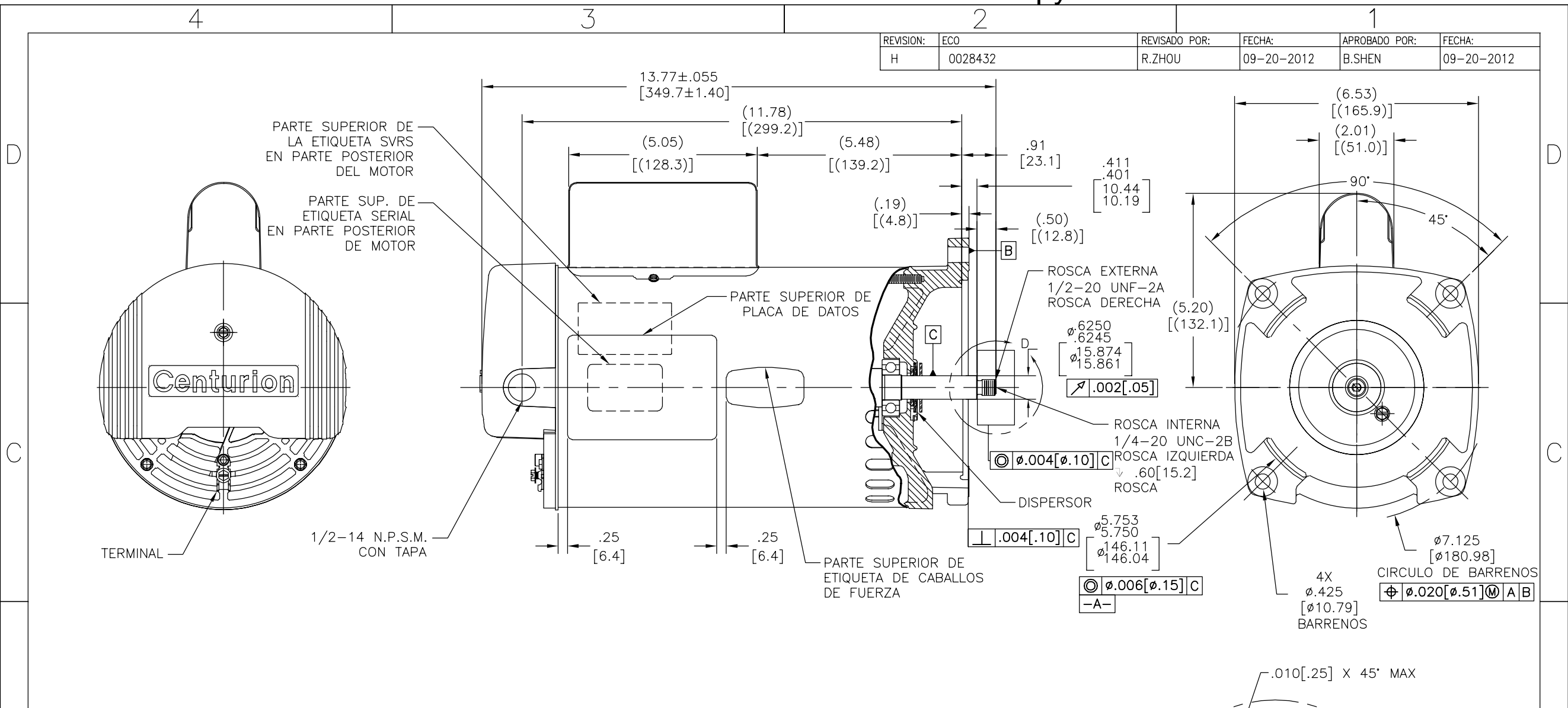


NAMEPLATE DATA	EXTERNAL CONNECTION DIAGRAM	NOTES
MODEL: 196337 CUST PN: HSQ1152 HP: 1.5 SF: 1.60 ROT: CCWPE RPM: 3450 TYPE: CP CODE: H FORM: FRAME: Y 56 Y VOLTS: 115/208-230 AMPS: MAX AMPS: 20.0/12.0-10.0 SF AMPS: - PH: 1 HZ: 60 INS: F AMB: 60°C DUTY: CONT ENCLOSURE: ODP THERMALLY PROTECTED	<p>GREEN (GROUND)</p> <p>HIGH VOLTAGE SHOWN. ROTATE DIAL CCW TO 115 FOR LOW VOLTAGE.</p> <p>USE COPPER CONDUCTORS ONLY. INSTALL MOTOR WITH VENTS DOWN. ACCEPTABLE FOR FIELD WIRING</p>	<ol style="list-style-type: none"> FOR THREADED SHAFT EXT. ECCENTRICITY OF THREADED PORTION OF SHAFT IS HELD WITHIN .004[.10] TOTAL GAGE READING WITH THE INDICATOR ON O.D. OF GROUND RING GAGE AS SHOWN. THE GAGE BEING STATIONARY WITH RESPECT TO THE ROTOR. END PLAY NOT TO EXCEED .010[.25] MEASURED WITH NO THRUST ALL DIMENSIONS SHOWN IN PARENTHESIS ARE REFERENCE DIMENSIONS. FINISH PAINT TO BE BLACK. GREEN GROUND SCREW LOCATED UNDER COVER TO BE INSTALLED WITH A .09[2.3] MIN. GAP FOR EASY CONNECTION. CONNECTED FOR 230V. DUAL VOLTAGE MOTOR. SEE CONNECTION DIAGRAM TO CHANGE VOLTS TO 115V.

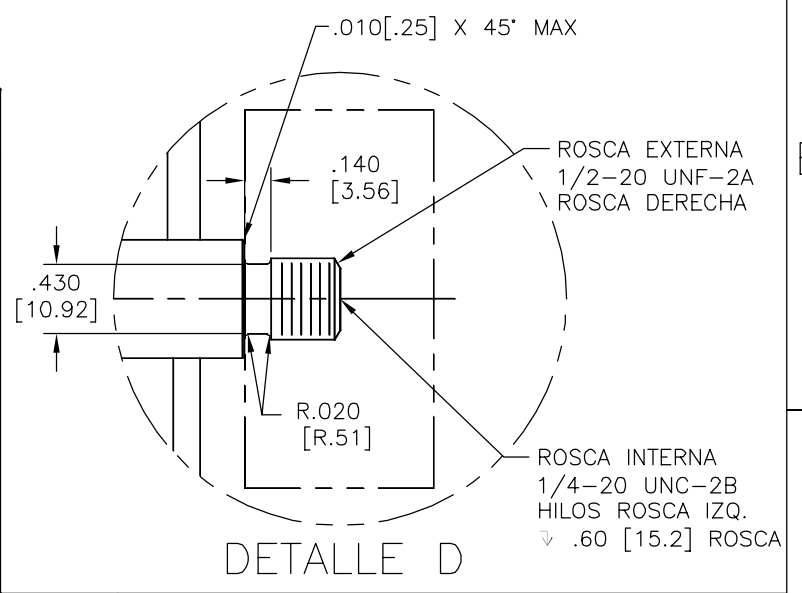


PERFORMANCE CURVE	APPROVED SAMPLE	GEOMETRIC CHARACTERISTICS & SYMBOLS □ FLATNESS - STRAIGHTNESS ∠ ANGULARITY ⊥ PERPENDICULARITY (SQUARENESS) // PARALLELISM ○ ROUNDNESS (CIRCULARITY) ∅ CYLINDRICITY △ PROFILE OF ANY SURFACE ∩ PROFILE OF ANY LINE † RUNOUT † TRUE POSITION ⊙ CONCENTRICITY = SYMMETRY	UNLESS OTHERWISE SPECIFIED DIM. TOLERANCES ARE AS FOLLOWS: INCH X XX XXX XXXX ±.1 ±.02 ±.005 ±.0005 mm ±0.5 ±0.13 ±0.013 ANG. ±.50 DEG REMOVE BURRS & BREAK SHARP EDGES: INCH .003-.015 mm 0.1-0.4 CORNER FILLETS TO: INCH .020 mm 0.5 MACHINE SURFACES: INCH 125 mm 3.2	DR BY: MEO	09-14-2007	REGAL-BELOIT CORPORATION
01166401	0701131A			APPD:	EDS DATE 11-11-2011	
UL COMPONENT	CSA	ASME Y14.5M 1994 METRIC DIMS. SHOWN IN [BRACKETS]	CONFIDENTIAL: THIS DRAWING AND ITS INFORMATION ARE THE EXCLUSIVE AND CONFIDENTIAL PROPERTY OF REGAL-BELOIT CORPORATION AND ARE NOT TO BE DISCLOSED, DUPLICATED, DISTRIBUTED OR OTHERWISE USED WITHOUT THE WRITTEN CONSENT OF REGAL-BELOIT CORPORATION. -ALL RIGHTS RESERVED.	MODEL-PFHP-56FR OUTLINE		
FILE# CCN# FILE# GUIDE#	E14663 PRGY2 LR642 4211-01			THIRD ANGLE PROJECTION	FORMAT REV H	SIZE C
CUSTOMER	DISTRIBUTION			SCALE NONE	SHEET 1	

REVISION:	ECO	REVISADO POR:	FECHA:	APROBADO POR:	FECHA:
H	0028432	R.ZHOU	09-20-2012	B.SHEN	09-20-2012

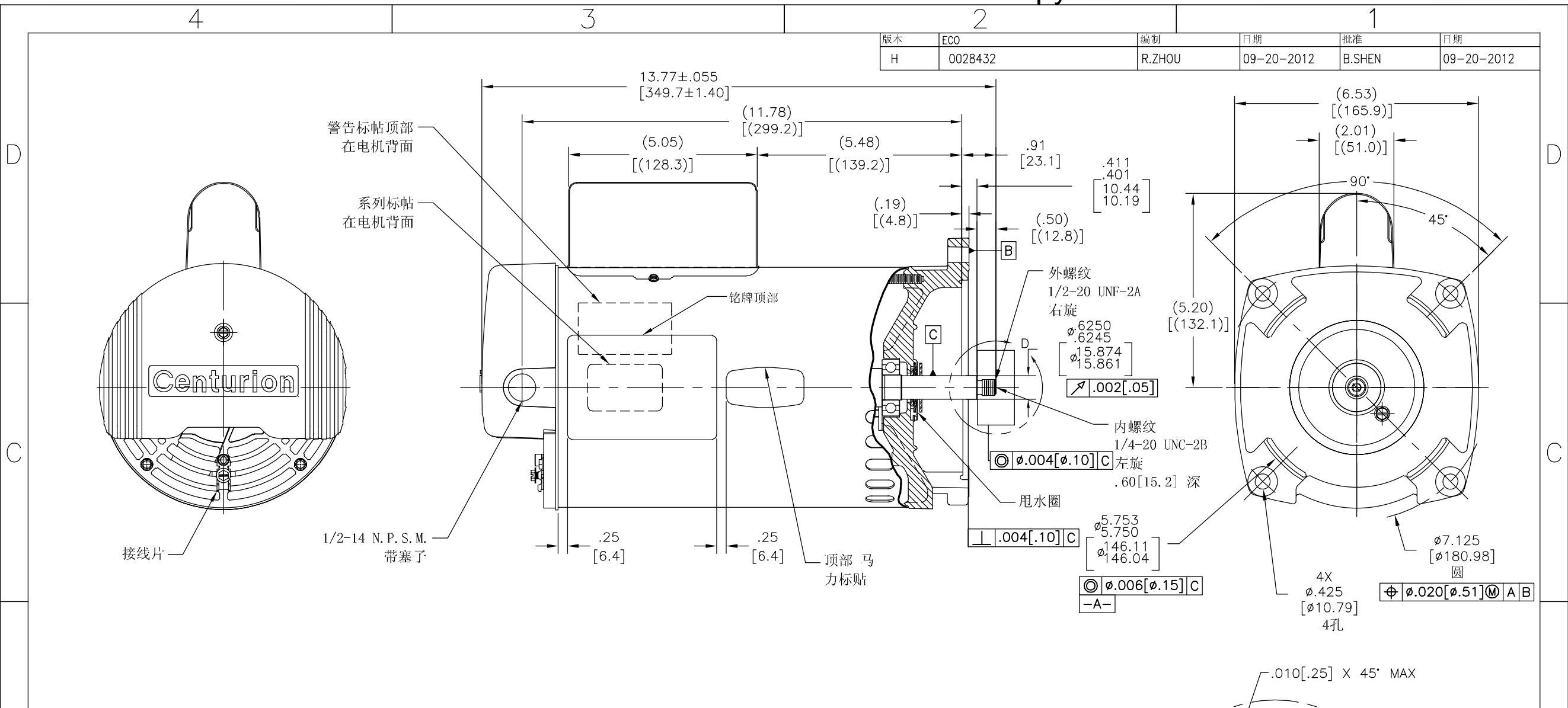


NAMEPLATE DATA	EXTERNAL CONNECTION DIAGRAM	NOTES
MODEL: 196337 CUST PN: HSQ1152 HP: 1.5 SF: 1.60 ROT: CCWPE RPM: 3450 TYPE: CP CODE: H FORM: FRAME: Y 56 Y VOLTS: 115/208-230 AMPS: MAX AMPS: 20.0/12.0-10.0 SF AMPS: - PH: 1 HZ: 60 INS: F AMB: 60°C DUTY: CONT ENCLOSURE: ODP THERMALLY PROTECTED	<p>GREEN (GROUND)</p> <p>HIGH VOLTAGE SHOWN. ROTATE DIAL CCW TO 115 FOR LOW VOLTAGE.</p> <p>USE COPPER CONDUCTORS ONLY. INSTALL MOTOR WITH VENTS DOWN.</p> <p>ACCEPTABLE FOR FIELD WIRING</p>	<ol style="list-style-type: none"> PARA EXT. DE FLECHA ROSCADA LA EXCENTRICIDAD DE LA ROSCA DE LA FLECHA ES SOSTENIDA DENTRO .004[.10] LECTURA TOTAL DEL ESCANTILLON CON EL INDICADOR SOBRE EL DIAM. EXTERNO DEL ANILLO DE TIERRA COMO SE MUESTRA. EL ESCANTILLON SERA ESTACIONARIO CON RESPECTO AL ROTOR. JUEGO AXIAL NO EXCEDERA .010[.25] MEDIDA SIN EMPUJE. TODAS LAS DIMENSIONES MOSTRADAS EN PARENTESIS SON DIMENSIONES DE REFERENCIA EL ACABADO DE LA PINTURA SERA NEGRO. TORNILLO VERDE DE TIERRA UBICADO BAJO LA CUBIERTA PARA SER INSTALADA CON UNA HOLGURA DE .09[2.3] MINIMO PARA FACIL CONEXION.

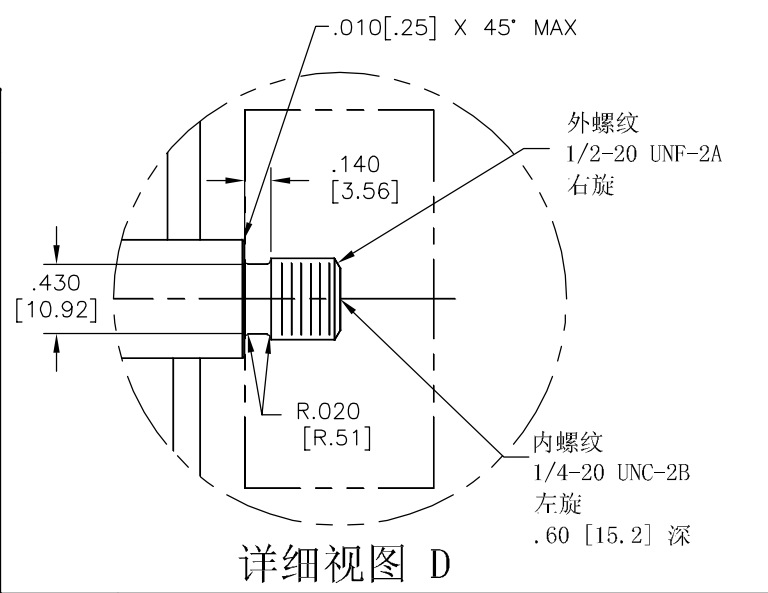


PERFORMANCE CURVE	APPROVED SAMPLE	CARACTERISTICAS DE GEOMETRIA Y SIMBOLOS □ PLANICIDAD - RECTITUD < ANGULARIDAD ⊥ PERPENDICULARIDAD (A ESQUADRA) // PARALELISMO ○ REDONDEZ (CIRCULARIDAD) ∅ CILINDRICIDAD △ PERFIL DE CUALQUIER SUPERFICIE ∩ PERFIL DE CUALQUIER LINEA † VARIACION ⊕ POSICION REAL ⊙ CONCENTRICIDAD = SIMETRIA	DIBUJADO POR: MEO	09-14-2007	REGAL REGAL-BELOIT CORPORATION DESCRIPCION: MODEL-PFHP-56FR OUTLINE TAMAÑO: C NUMERO DE DIBUJO: HSQ1152 ESCALA: NONE HOJA: 1
01166401	0701131A		A MENOS QUE SE ESPECIFIQUE DE OTRA MANERA, LAS TOLERANCIAS DE LAS DIMS; SON LAS SIGUIENTES: PULG ±.1 ±.02 ±.005 ±.0005 mm ±0.5 ±0.13 ±0.013 ANG. ± 50 GRADOS ELIMINAR REBABAS Y ORILLAS FILOSAS DEL BORDE. PULG .003-.015 mm 0.1-0.4 FILETEAR ESQUINA: PULG .020 mm 0.5 MAQUINAR SUPERFICIES PULG 125 mm 3.2 DIMS METRICAS MOSTRADAS [PARENTESIS]	APROBADO POR:	
UL COMPONENT	CSA		TERCER ANGULO DE PROYECCION	REV. FORMATO: H	
FILE#	CCN#	FILE#	GUIDE#		
E14663	PRGY2	LR642	4211-01		
CUSTOMER	DISTRIBUTION				

版本	ECO	编制	日期	批准	日期
H	0028432	R.ZHOU	09-20-2012	B.SHEN	09-20-2012



NAMEPLATE DATA	EXTERNAL CONNECTION DIAGRAM	NOTES
MODEL: 196337 CUST PN: HSQ1152 HP: 1.5 SF: 1.60 ROT: CCWPE RPM: 3450 TYPE: CP CODE: H FORM: FRAME: Y 56 Y VOLTS: 115/208-230 AMPS: MAX AMPS: 20.0/12.0-10.0 SF AMPS: - PH: 1 HZ: 60 INS: F AMB: 60°C DUTY: CONT ENCLOSURE: ODP THERMALLY PROTECTED	<p>175367-29</p> <p>LINE LINE GRD GREEN (GROUND)</p> <p>HIGH VOLTAGE SHOWN. ROTATE DIAL CCW TO 115 FOR LOW VOLTAGE. USE COPPER CONDUCTORS ONLY. INSTALL MOTOR WITH VENTS DOWN. ACCEPTABLE FOR FIELD WIRING</p>	1. 量规测量方法如图所示，螺纹外径与中心的同心度为.004[.10] 2. 轴向窜动不超过.010[.25] 3. 括号内尺寸为参考尺寸。 4. 表面为浅褐色喷漆。 5. 为了方便连接，在最小范围内的偏差为.09[2.3]，定位安装了一个绿色接地螺丝。 6. 连接是为了230V双电压电机，从连接图表上看出可以转换成115V。



PERFORMANCE CURVE	APPROVED SAMPLE	形位公差 □ 平面度 — 直线度 ∠ 倾斜度 ⊥ 垂直度 ∥ 平行度 ○ 圆度 ⊙ 圆柱度 ⌒ 面轮廓度 ⌒ 线轮廓度 ↗ 圆跳动 ⊕ 位置度 ⊙ 同轴度 ≡ 对称度	除另有注明尺寸公差如下: 英寸 X XX XXX XXXX ±.1 ±.02 ±.005 ±.0005 毫米 ±0.5 ±0.13 ±0.013 角度 ±.50度 清理毛刺和尖棱 英寸 .003-.015 毫米 0.1-0.4 内圆角 英寸 .020 毫米 0.5 表面粗糙度 英制 125 米制 3.2	绘图: MEO	09-14-2007	REGAL-BELOIT CORPORATION MODEL-PFHP-56FR OUTLINE HSQ1152	
01166401	0701131A			批准:	图纸格式发布日期 11-11-2011 图纸格式版本 H		名称
UL COMPONENT	CSA			第三角投影		图幅 C	
FILE# CCN# FILE# GUIDE#				机密: 本图纸及相关信息所有权归REGAL-BELOIT CORPORATION. 未经REGAL-BELOIT CORPORATION书面授权, 不得泄露、复制、传播或作其他用途。—版权所有			
E14663 PRGY2 LR642 4211-01							
CUSTOMER	DISTRIBUTION						