

PRODUCT INFORMATION PACKET

Model No: B2847V1

Catalog No: B2847V1

3/4 HP Pool Pump Motor, 1 phase, 3600 RPM, 230/115 V, 56Y Frame, ODP



Regal and are trademarks of Regal Rexnord Corporation or one of its affiliated companies.
©2022 Regal Rexnord Corporation, All Rights Reserved. MC017097E

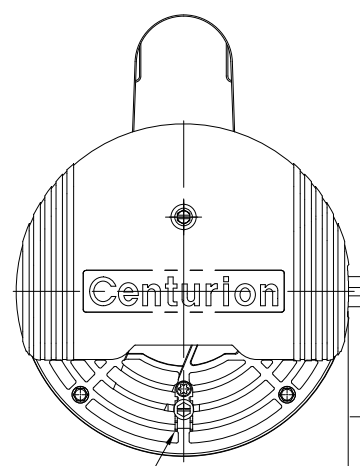
Nameplate Specifications

Output HP	3/4 Hp	Output KW	0.56 kW
Frequency	60 Hz	Voltage	230/115 V
Current	SF 6.5/13.0 A	Speed	3450 rpm
Service Factor	1.65	Phase	1
Duty	Continuous	Insulation Class	F
Frame	P56Y	Enclosure	Drip Proof
Thermal Protection	Thermally Protected	Ambient Temperature	50 °C
UL	Recognized	CSA	Y
CE	N		

Technical Specifications

Electrical Type	Permanent Split Capacitor, Single Or Dual Voltage	Poles	2
Rotation	Counterclockwise Pump End	Mounting	Round
Motor Orientation	Horizontal	Drive End Bearing	BALL BRG
Opp Drive End Bearing	BALL	Frame Material	Rolled Steel
Shaft Type	Threaded	Overall Length	12.43 in
Frame Length	8.00 in	Shaft Diameter	0.625 in
Shaft Extension	0.91 in		
Outline Drawing	B2847V1-S01	Connection Drawing	17536729.PCX

This is an uncontrolled document once printed or downloaded and is subject to change without notice. Date Created:04/22/2022



GOVERNOR LABEL

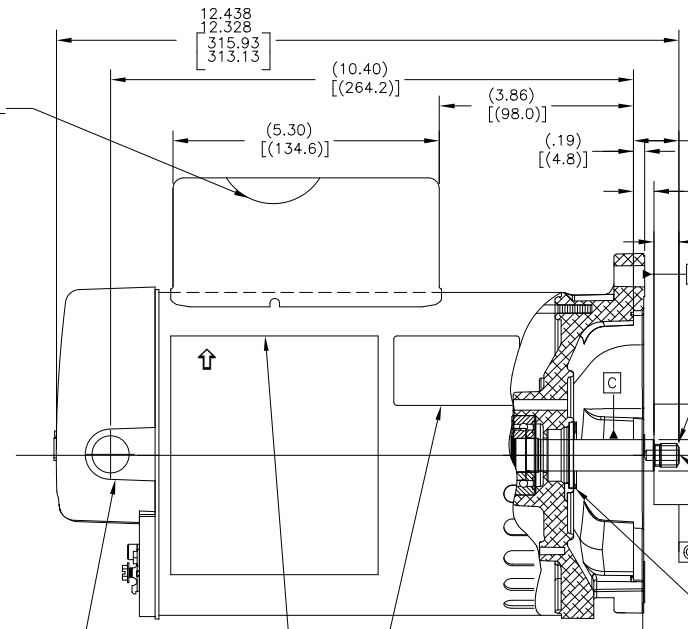
TEST LEADS

(.50) [(12.7)] STRIP

BONDING LUG

6.00 [(152.4)] APPROX

1/2-14 N.P.S.M.



CEC NON-COMPLIANT STICKER

NAMEPLATE LOCATION 2:00 CLOCK

EXTERNAL THREADS 1/2-20 UNF-2A R.H. THREADS

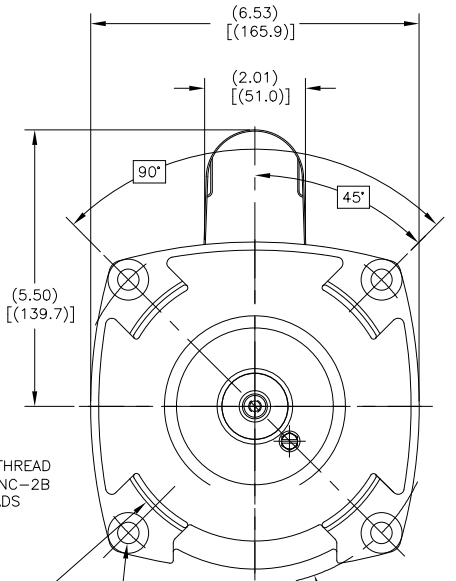
INTERNAL THREAD 1/4-20 UNC-2B L.H. THREADS .60 [(15.24)] THREAD

SLINGER

5.750 [146.05] 5.753 [146.13]

0.006 [0.15] C -A-

4X 0.440 [11.18] 0.410 [10.41] HOLES



(5.50) [(139.7)]

0.7125 [180.98]

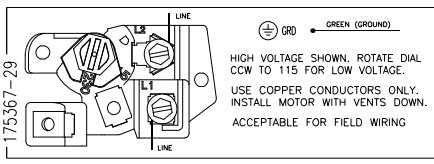
B.C. 0.020 [0.51] A B

NAMEPLATE DATA

EXTERNAL CONNECTION DIAGRAM

NOTES

MODEL: F56AB45A01
 CUST PN: B2847V1
 HP: 3/4 SF: 1.65
 ROT: CCWPE
 RPM: 3450
 TYPE: CX CODE: L
 FORM: FRAME: P 56 Y
 VOLTS: 230/115
 AMPS: SF 6.5/13.0
 MAX AMPS:
 SF AMPS:
 PH: 1 HZ: 60
 INS: F AMB: 50°C
 DUTY: CONT
 ENCLOSURE: DP
 THERMALLY PROTECTED



- FOR THREADED SHAFT EXT. ECCENTRICITY OF THREADED PORTION OF SHAFT IS HELD WITHIN .004[.102] TOTAL GAGE READING WITH THE INDICATOR ON O.D. OF GROUND RING GAGE AS SHOWN. THE GAGE BEING STATIONARY WITH RESPECT TO THE ROTOR.
- END PLAY NOT TO EXCEED .010[.254] MEASURED WITH NO THRUST.
- ALL DIMENSIONS SHOWN IN PARENTHESIS ARE REFERENCE DIMENSIONS.
- FINISH PAINT TO BE BLACK.
- 1.24 SF HP
- CONNECTED FOR 230V.DUAL VOLTS MOTOR SEE CONNECTION DIAGRAM TO CHANGE VOLTS TO 115V.
- CTQ REQUIREMENT SEE EP000105-008
- RoHS & REACH REQUIREMENT SEE EP000014.

PERFORMANCE CURVE		APPROVED SAMPLE	
SS0097396		---	
UL COMPONENT		CSA	
FILE#	CCN#	FILE#	GUIDE#
E25022	XEWR2/8	LR4642	4211-0
CUSTOMER	DISTRIBUTION		

- CRITICAL TO QUALITY CHARACTERISTICS(CTQs)
- PROCESS
- ENGINEERING
- APPLICATION
- REGULATORY
- LIFE

DRAWING REVISION	REVISION BY	DATE	TOLERANCES UNLESS OTHERWISE SPECIFIED
J	HAIKUA ZHANG	04-08-2022	DEC. INCH mm ANGLE
ECO	APPROVED BY	DATE	X ±0.1 [±3]
ECR-0216843	TRISTIA.ZHAO	04-08-2022	.XX ±0.02 [±0.5]
ECO DESCRIPTION	SEE ECR		.XXX ±0.005 [±0.13]
			.XXXX ±0.0005 [±0.013]
			REMOVE BURRS & BREAK SHARP EDGES .003/.015 [08.38]
			CORNER FILLETS .02 [5]
			MACHINED SURFACES .125 INCH mm 3/2
			mm SHOWN IN [BRACKETS]

DRAWN BY:	R.LIAN
DATE:	07-14-2015
APPROVED BY:	J.ZHU
DATE:	07-14-2015
REFERENCE	
THIRD ANGLE PROJECTION	

Regal Beloit America, Inc.	
DESCRIPTION	
MODEL-CFHP-56FR OUTLINE	
MATERIAL	PROCESS/FINISH
SIZE	DWG NO
C	B2847V1
	SHEET 1