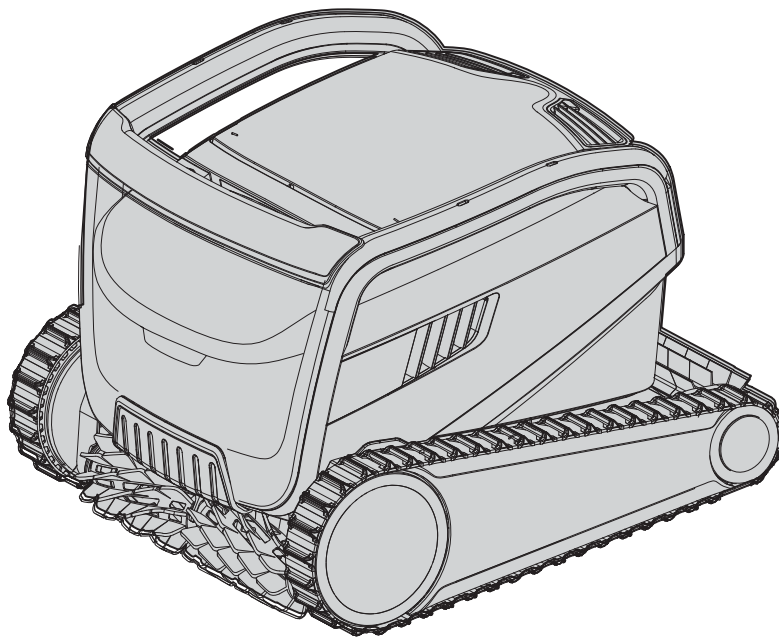


TOP 15+ / M700

Maytronics Dolphin robotic pool cleaner

EN

User Instructions



EN

TOP 15+ / M700

Robotic Pool Cleaner

User Instructions

Contents

1. INTRODUCTION	2
2. SPECIFICATIONS	2
3. WARNINGS AND CAUTIONS	2
3.1 Water conditions	3
4. ROBOTIC POOL CLEANER PARTS	4
5. USING THE ROBOTIC POOL CLEANER	5
5.1 Setup	5
5.2 Placing the Robotic Pool Cleaner into the pool	6
5.3 Plug in the power supply	6
5.4 Operating the Robotic Pool Cleaner without using your smart device	7
5.5 Using the power supply	7
5.6 Robotic Pool Cleaner indicator lights	7
5.7 Removing the Robotic Pool Cleaner from the pool	8
6. CARE AND MAINTENANCE	9
6.1 Cleaning after use - Removing and cleaning the dual filter basket	9
6.2 Periodic filter cleaning	10
6.3 Cleaning the impeller	11
6.4 Periodic general maintenance - Recommended at least once a week	12
7. OFF-SEASON STORAGE	12
8. HOW TO USE THE REMOTE CONTROL	13
8.1 Getting Started with the Remote Control	13
8.2 Automatic Mode	14
8.3 Manual Drive Mode	14
9. USE THE MyDolphin™ Plus IOT MOBILE APP	15
9.1 Getting Started with the MyDolphin™ Plus App	15
9.2 Prepare the Robotic Pool Cleaner for Connection	15
9.3 Activate the Robotic Pool Cleaner Using your Mobile Smart Device	15
9.4 LED Lights	16
10. ADVANCED FEATURES	17
11. TROUBLESHOOTING	18
12. MyDolphin™ Plus App - TROUBLESHOOTING	20

1. INTRODUCTION

Thank you for purchasing a Maytronics Robotic Pool Cleaner.

We are sure that your Maytronics Robotic Pool Cleaner will provide you with reliable, convenient, and cost-effective pool cleaning, to enhance your pool's hygiene.

Robotic Pool Cleaners by Maytronics deliver advanced cleaning technologies, exceptional ease of use, long-lasting performance, and simple maintenance. You and your family will be free to enjoy your swim with full confidence that your pool is completely clean.

2. SPECIFICATIONS

Robot

Motor protection: IP 68

Minimum depth: 0.8m / 2.6ft

Maximum depth: 5m / 16.4ft

Digital switch-mode power supply

IP 54

Input: 100-250 AC Volts, 50-60Hertz, 180 Watt

Output: <30VDC

Bluetooth®/Wi-Fi® Max tras power 10mW EIRR, 2.4 GHz frequency

This product is in accordance with EU Regulation & Directive 2014/531EU.

For full information, please contact us at www.maytronics.com/contact-us-en and ask for the EC declaration of conformity.

3. WARNINGS AND CAUTIONS

IMPORTANT SAFETY INSTRUCTIONS

READ AND FOLLOW ALL INSTRUCTIONS

Please adhere strictly to the following WARNINGS:



Take the Robot Pool Cleaner out of the pool before allowing people to enter the pool.



When examining the Robot Pool Cleaner, disconnect the main power supply.



Ensure that children do not attempt to access Robot Pool Cleaner while it is operating.



Keep the Robot Pool Cleaner out of the reach of children or persons with reduced physical, sensory or mental capabilities, or lack of experience and knowledge, unless they have been given supervision or instruction.



Only an original power cable must be used, at all times. Replaced by a Robot Pool Cleaner certified technician, in case of need to avoid hazard.



The unit must be connected only to a supply circuit that is protected by a ground-fault circuit interrupter (GFCI). This GFCI should be tested on a routine basis. To test the GFCI, push the test button. The GFCI should interrupt power. Push the reset button. Power should be restored. If the GFCI fails to operate in this manner, the GFCI is defective. If the GFCI interrupts power to the power unit without the test button being pushed, a ground current may be flowing, indicating the possibility of an electric shock. Do not use the power unit. Disconnect the power unit and contact the manufacturer for assistance.



To reduce the risk of electric shock replace damaged cord immediately. Do not use extension cord to connect unit to electric supply; provide a properly located outlet.

Please ensure that the following PRECAUTIONS are implemented:



Operator should keep hands away from driving belt mechanism.



Position the Caddy and power supply at least 3.5m/12ft from pool's edge – during operation.



For continued protection against possible electric shock, the power supply unit should be placed at least 11cm/4in above ground.



When lifting the Robot Pool Cleaner, take care to prevent back injury.



Do not bury cord – locate cord to minimize abuse from lawn mowers, hedge trimmers and other equipment.



Do not use the pool cleaner if you have added liquid flocculant or any other clarifier to the pool water. These substances obstruct and damage the robot's filters.

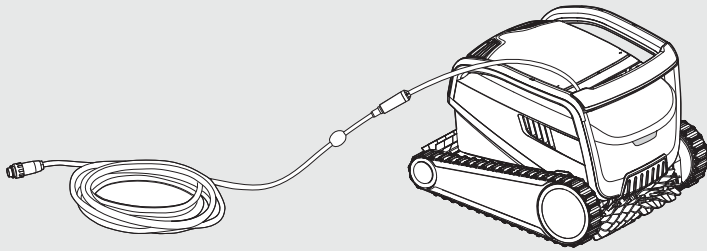
3.1 Water Conditions

Use the Robotic Pool Cleaner in the following water conditions:

Chlorine	Max 4 PPM
pH	7.0-7.8 PPM
Temperature	6-35°C / 43-95°F (below 15°C / 59°F climbing performance may be affected)
NaCl	Maximum = 5000 PPM

4. ROBOTIC POOL CLEANER PARTS

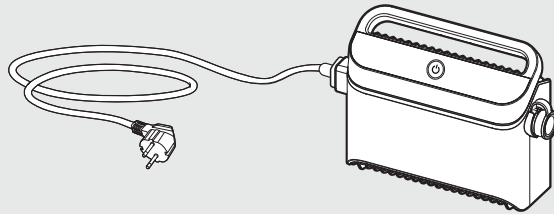
► Robotic Pool Cleaner



Remote Control Unit - Optional

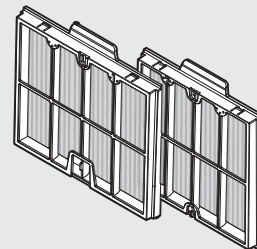
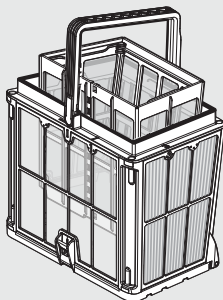


► Power supply



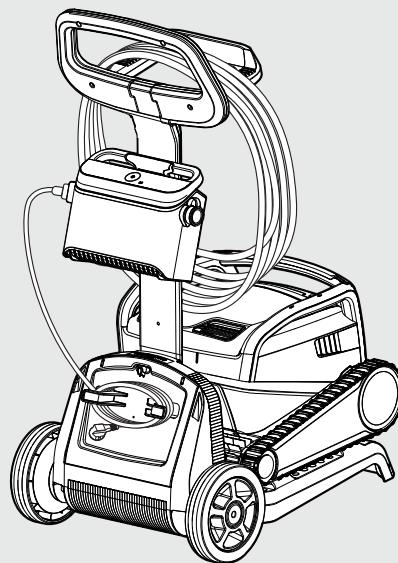
► Filtration

Start the season with the net filters for large debris then use ultra-fine filters for daily use.



* The net filters are assembled in the filter basket.

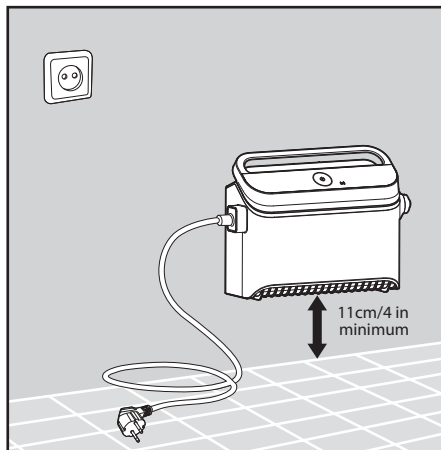
► Caddy kit



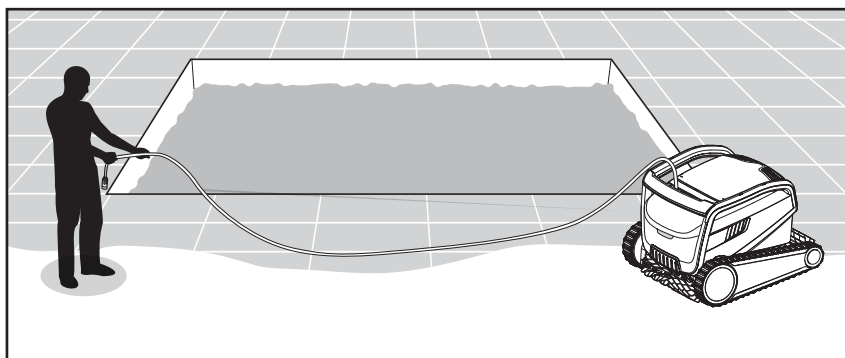
5. USING THE ROBOTIC POOL CLEANER

5.1 Setup

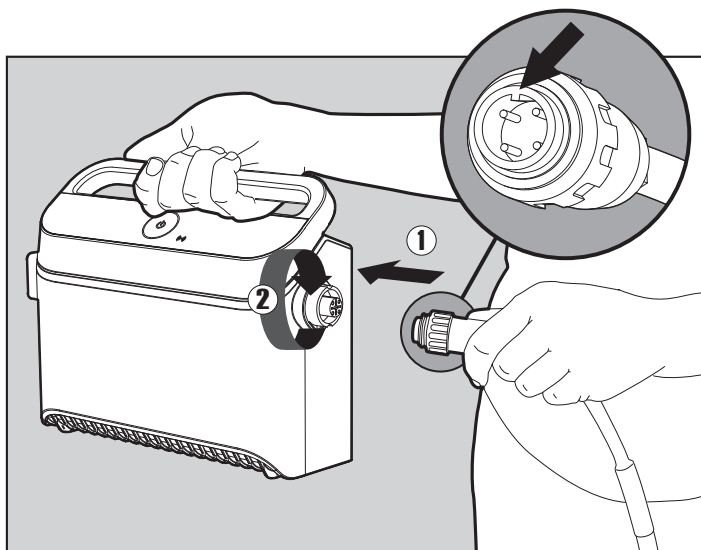
Before using the Robotic Pool Cleaner for the first time, perform the following steps:



5.1.1 Position the power supply at approximately the middle of the long side of the pool, at least at a distance of 3.5m/12ft. from the pool's edge.



5.1.2 Unwind the cable and stretch it out completely so that it has no kinks.



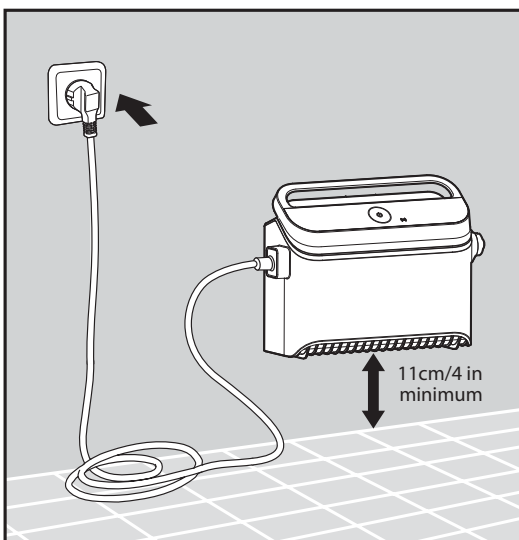
5.1.3 Attach the floating cable to the power supply: Insert the cable with the notch on the connector (1), lined up with the groove in the socket on the power supply, and turn clockwise (2).

5.2 Placing the Robotic Pool Cleaner into the pool



5.2.1 Place the Robotic Pool Cleaner in the pool. Release it and let it sink to the floor of the pool. Make sure that the floating cable is free of any obstacles.

5.3 Plug in the power supply

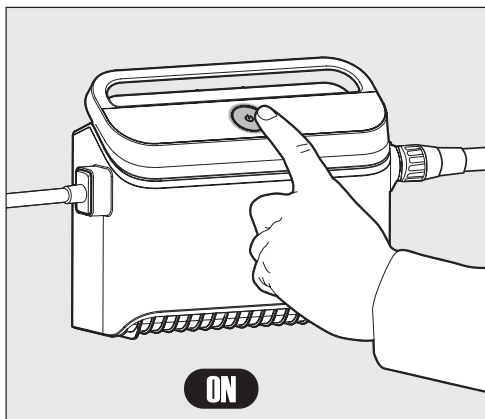


5.3.1 Connect the power supply to the AC.

5.4 Operating the Robotic Pool Cleaner without using your smart device

Press the power button to turn the robot ON.

The Robotic Pool Cleaner will now operate until it has reached the end of the cleaning cycle.



5.5 Using the power supply

Your power supply is designed to provide you with the most advanced features to improve your experience.

- A single on/off button for an easy operation.
- LED indicators for the advanced features.

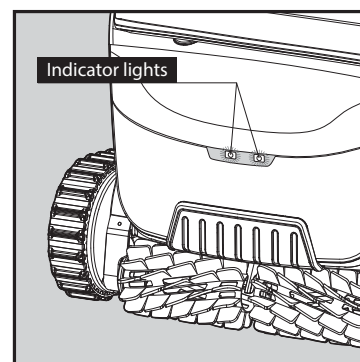


LED indications table:

Lights display	Meaning
Both the On/Off button ("circle") and connectivity LED blink 4 times	Occurs after connecting the power-supply to the power outlet.
Blue connectivity light is consistent	Bluetooth® connected
Green and Blue connectivity lights blink alternately	Pairing process is ongoing, should also appear while using the Remote control unit
Green connectivity light is blinking	Wi-Fi® connected to home network
Solid green light is on	The power supply is connected to the Cloud

5.6 Robotic Pool Cleaner indicator lights

Light	Indication
Blue blinking	Default operation of the Robotic Pool Cleaner
Green blinking	Remote-Control or Smartphone communicate with the Robotic Pool Cleaner
Red constant	Robot error. Check the Troubleshooting section for solutions. If none of the solutions solve the issue, contact your dealer to check the Robotic Pool Cleaner.



5.6.1 Indicator lights.

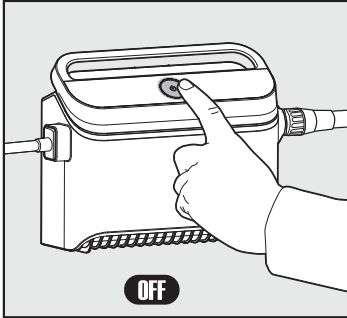
5.7 Removing the Robotic Pool Cleaner from the pool


Option A

The easiest and most fun way to get the robot out of the water:

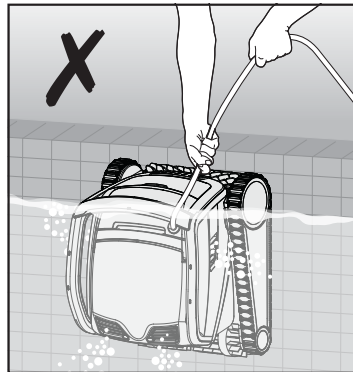
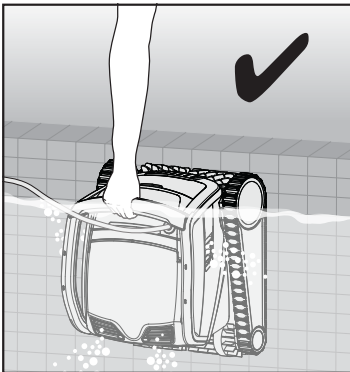
1. Log into the **MyDolphin™ Plus** app and click "Pick-up mode".
2. The robot will reach the first wall it can get to.
It will rise above the water surface, and will wait there for 3 minutes.
3. Grab the robot by the handle and pull it out the water.

Option B




 **Turn OFF the power supply.**

5.7.1



5.7.2 Use the floating cable to pull the Robotic Pool Cleaner to the side of the pool.
Use the handle to remove the robot from the pool.



 **Please use the cable to pull the robot to the surface, then use the handle.**

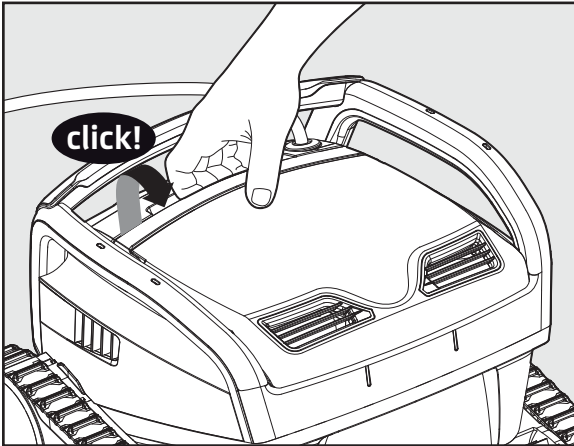
5.7.3 Place the Robotic Pool Cleaner on the side of the pool and let the water drain out.

6. CARE AND MAINTENANCE

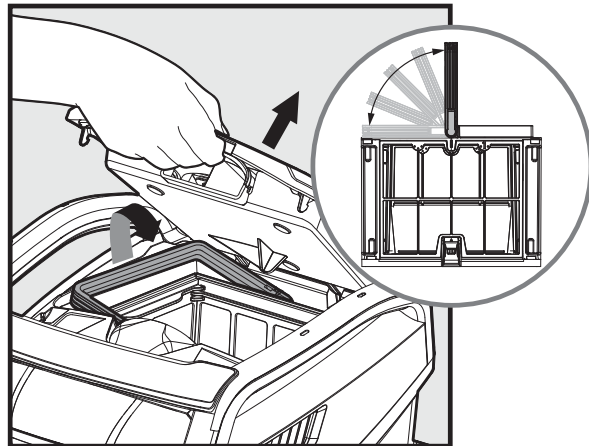
 **Make sure the power supply is switched off.**

We highly recommend cleaning the filter basket after each cleaning cycle.
Note: Do not let the filter panels dry out before cleaning.

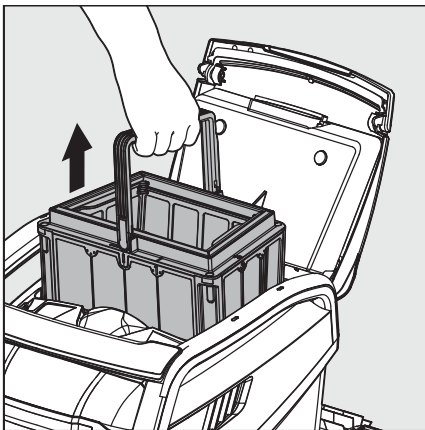
6.1 Cleaning after use - Removing and cleaning the dual filter basket



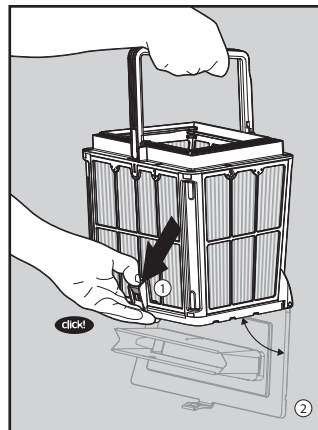
6.1.1 Open the filter cover.



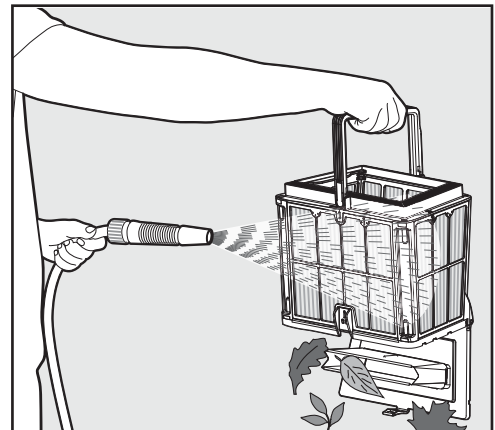
6.1.2 Upon opening the filter cover, the handle will lift independently.



6.1.3 Lift the basket.



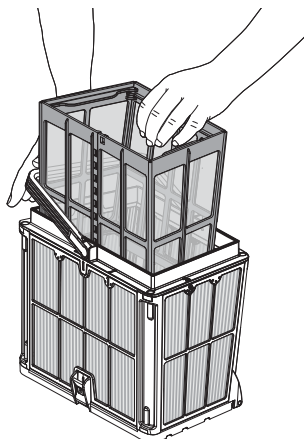
6.1.4 Open the latch to release the bottom lid.



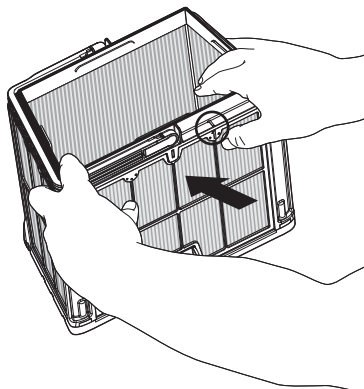
6.1.5 Clean the filter basket with a hose.

6.2 Periodic filter cleaning - Recommended at least once a month

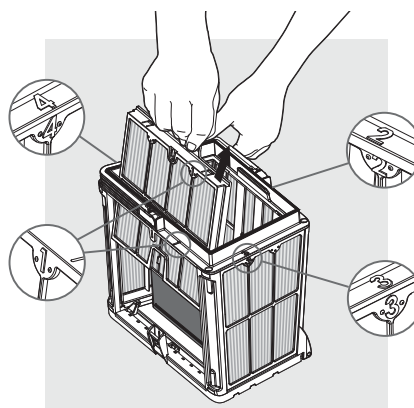
Dismantle the 4 ultra-fine filter panels of the outer basket, according to the following steps:



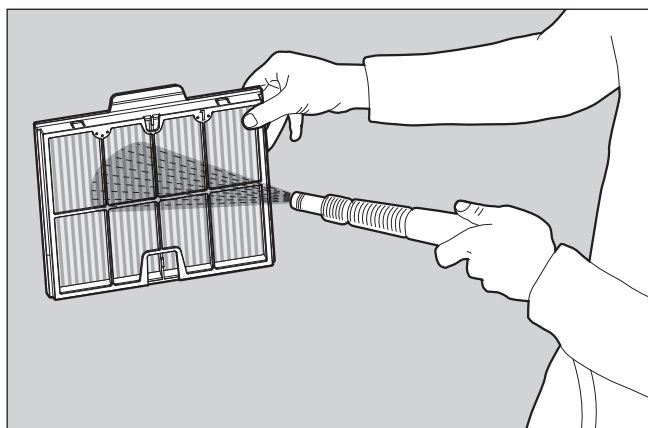
6.2.1 Hold down the handle to remove the inner net basket.



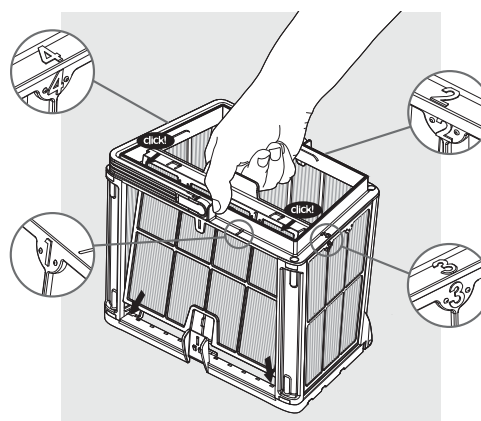
6.2.2 Dismantle the panels; start by pressing on panel 1, using your thumbs.



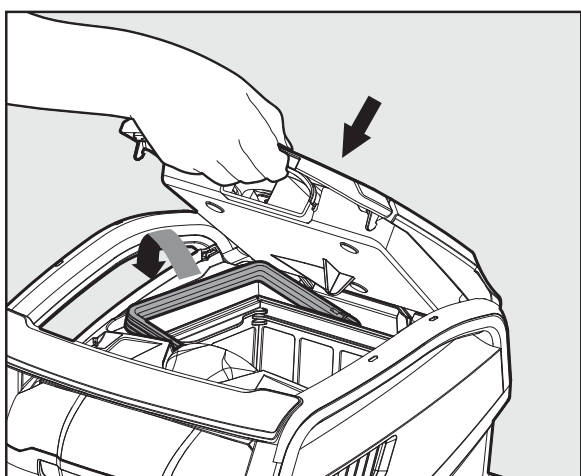
6.2.3 Continue to dismantle the panels in order: 2 → 3 → 4.



6.2.4 Clean the filter panels with a hose.



6.2.5 Assemble the filter panels according to the following order: Panel 4 → 3 → 2 → 1.



6.2.6 Insert the clean filter basket and close the filter cover.

6.3 Cleaning the impeller

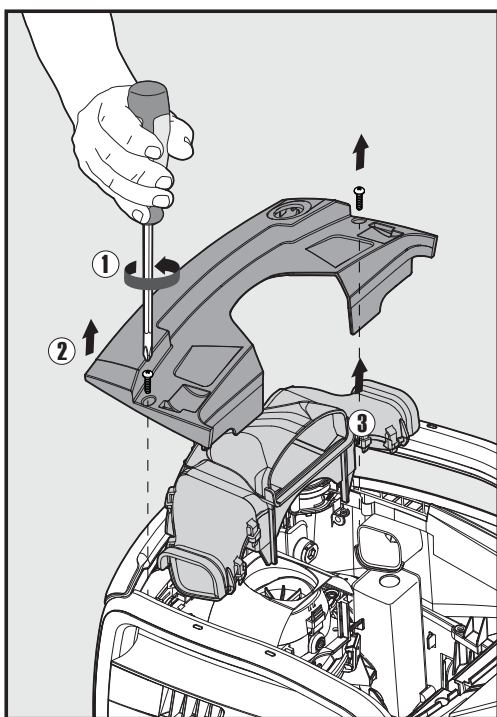
If you notice debris trapped in the impeller:



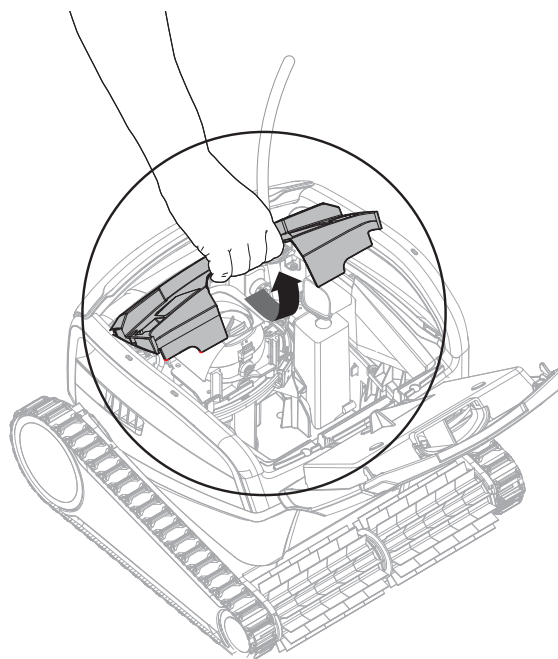
Make sure the power supply is switched off and unplugged.



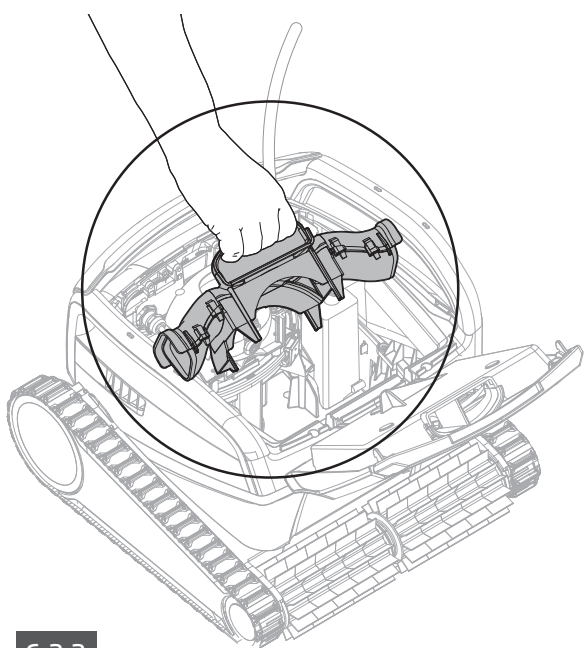
Clean the debris trapped in the impeller opening, according to the following steps:



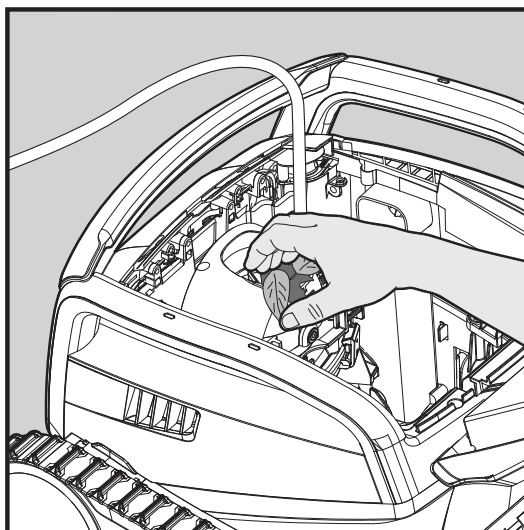
6.3.1



6.3.2

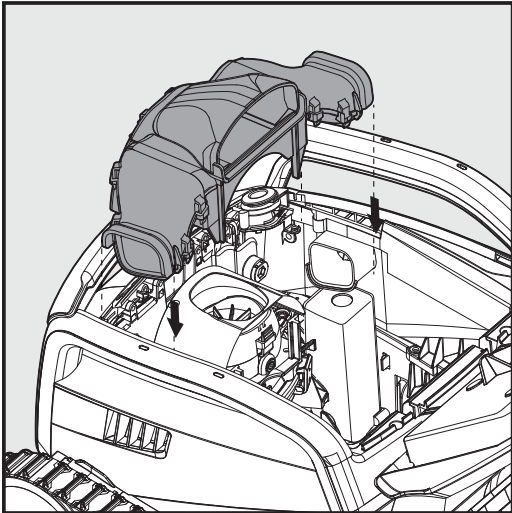


6.3.3

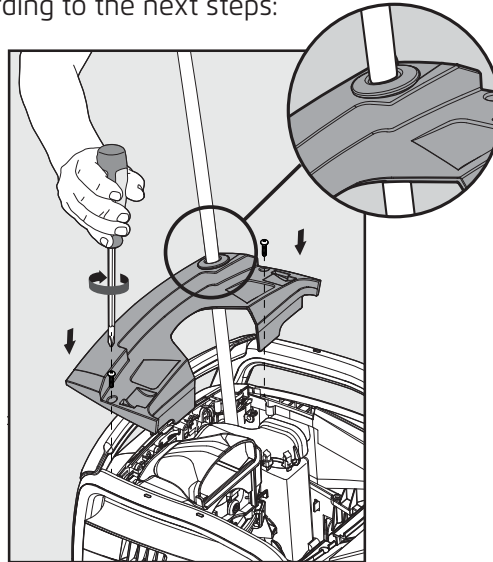


6.3.4

Assemble the impeller compartment according to the next steps:



6.3.5



6.3.6

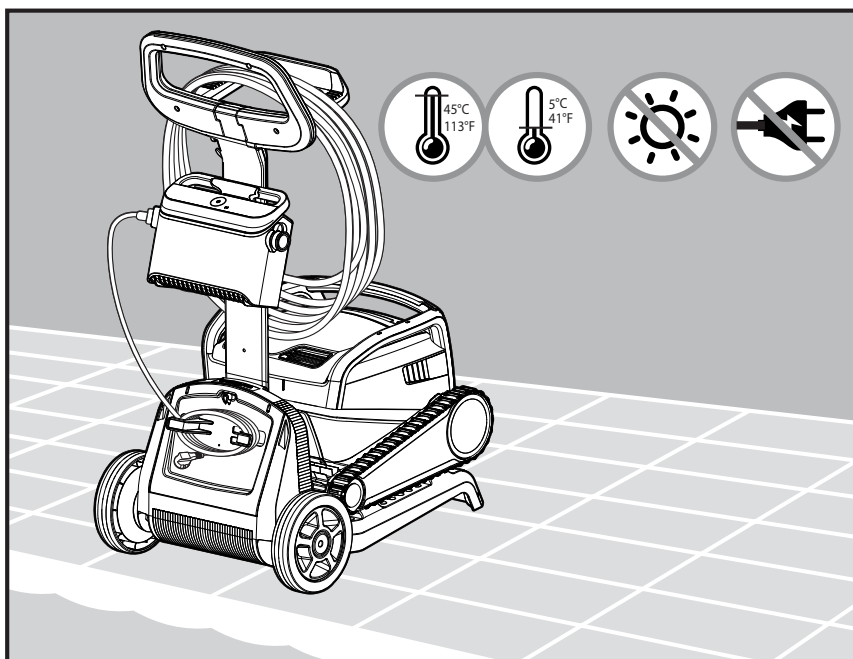
6.4 Periodic general maintenance - Recommended at least once a week

- When the cable is wet, spread it flat and straight in the yard, and allow it to dry for at least five hours to avoid twisting of the cable.
- Wash the Robotic Pool Cleaner with fresh water, to reduce damage caused by the chemicals in the pool water.

7. OFF-SEASON STORAGE

If the Robotic Pool Cleaner will not be in use for an extended period of time, perform the following storage steps:

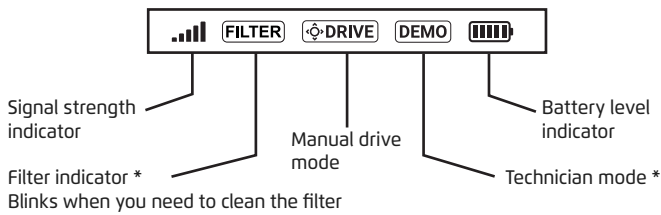
- Make sure that no water is left in the Robotic Pool Cleaner.
- Thoroughly clean the filter basket and panels and insert them back in place.
- Roll up the cable so that it has no kinks.
- Store the Robotic Pool Cleaner in a protected area out of direct sun/rain/frost, at a temperature of between 5°-45°C / 41°-113°F.



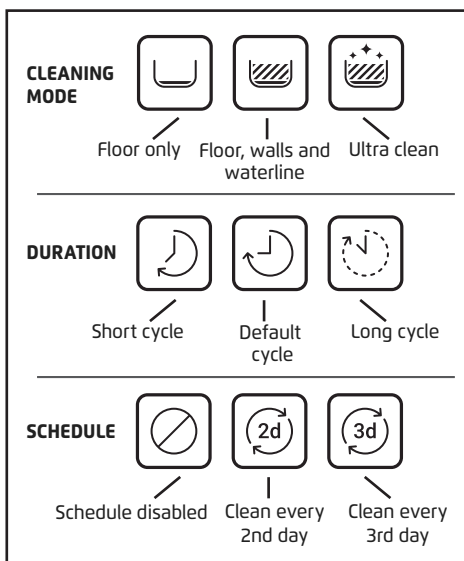
8. HOW TO USE THE REMOTE CONTROL

* for specific models only

STATUS BAR



CLEANING SETTINGS

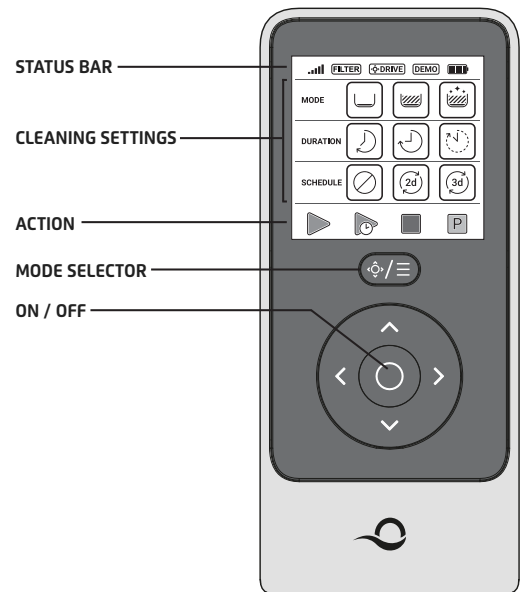


The remote-control unit offers two operation modes:

- **Programmable mode** - cleaning parameters can be changed
- **Manual Drive mode** - motion can be controlled manually

8.1 Getting Started with the Remote Control


1. If the Pool Cleaner is **OFF**, turn on the remote-control-unit and wait 2 seconds to view the screen display.
2. Select the desired settings.
3. The power supply will turn on, indicated by a **blue** LED light.
4. The Pool Cleaner will start cleaning according to the selected settings.



8.2 Programmable Mode

The remote-control-unit offers two Programmable operation modes:

- **Delayed Operation**
- **Weekly Scheduling**

In **Delayed Operation** mode, you can set the Pool Cleaner to clean the pool later, by pressing **START LATER**. 

The power supply will start blinking **green**.



After one hour, the Pool Cleaner will start working.

If you wish to cancel the **START LATER** program, press again on the **START LATER** icon.

When the power supply stops blinking, the program is canceled.

In the **Weekly Scheduling** mode, you can set your own cleaning program.


You can choose if you want to clean your pool every two days or every three days.

- To clean your pool every 2 days, press 
- To clean your pool every 3 days, press 
- The scheduling program is valid for one week only.

8.3 Manual Drive Mode

You can use the Manual Drive mode to control how your Dolphin Pool Cleaner navigates around the pool.

- If the robot is **ON** – Turn on the remote, press the mode selector, and use the direction control arrows to control the movement of the robot around the pool.
- If the robot is **OFF** – Turn on the remote and wait for 60 seconds until the self-test is completed. Press the mode selector and use the direction control arrows to control the movement of the robot around the pool.

NOTE: If the signal bar is blinking  or you have lost connection with the power supply, it could be due to one of the following reasons.

What's wrong	What to do
The power supply isn't working	Make sure the power supply is plugged in
The remote-control is not in range	Move closer to your power supply
The remote-control isn't paired with your robot	Make sure the remote control is OFF . Attach the remote-control unit to the power supply. Press simultaneously on both right and left direction control arrows until you hear two beeps, and the power supply shows a steady blue connectivity LED

In case of difficulties operating the remote-control unit, try to repeat the above steps or contact our Customer Care team.

* see details in the end of this document.

9. USE THE MyDolphin™ Plus IOT MOBILE APP

Please download the Maytronics **MyDolphin™ Plus** app to your mobile smart device from either Google Play for Android or the Appstore for iOS.

The Maytronics **MyDolphin™ Plus** app is cloud-connected, enabling control from anywhere at anytime, with real-time connectivity.

9.1 Getting Started with the MyDolphin™ Plus App

The app is compatible with the following smart devices:

- Apple (iOS) – version 10 and up – iPhone, iPad, iPod
- Android – version 5 and up operating system

1. Make sure your mobile smart device (phone/tablet) is connected to your home/pool Wi-Fi® network.
2. Make sure you have your Wi-Fi® network name and password in reach.
3. Ensure Bluetooth® is enabled on your smart device.
4. Android users - please make sure your GPS and Location Services are **ON**.
5. For iOS 13 and above - while the app is working, enable **Bluetooth® & location**.
6. Please make sure your router is on 2.4Ghz Wi-Fi® frequency only.

9.2 Prepare the Pool Cleaner for Connection

1. Connect the Pool Cleaner to the power supply.
2. The connectivity LED light indicator on your power supply will start flashing **blue**.
3. Place the Pool Cleaner in the water.
4. Press the ON button on your IoT power supply, to start the Pool Cleaner.

9.3 Activate the Pool Cleaner Using your Mobile Smart Device

1. Activate the **MyDolphin™ Plus** app.
2. Click **Agree** and allow all the required permissions.
3. Sign up by creating an account or use your Gmail/Facebook accounts for Android, or sign-up with apple, for iOS.
4. Scan the QR code located on the side of the power supply.
5. Alternatively, press "**Search for your robot manually**" to pair with your Pool Cleaner.
The app will start pairing with your power supply.
6. Wait for the steady **blue** connectivity LED light and a success message in the app.
7. Connect to your home/pool Wi-Fi® network.
8. Enter the password of your home Wi-Fi® network, and press **CONTINUE**
After a short while, your power supply will flash **green** and **blue**.
9. Wait for the steady **green** connectivity LED light and a success message in the app.

NOTE: Please make sure to fill in the Warranty details and name your Dolphin Pool Cleaner.

9.4 LED Lights

Connectivity LEDs

The connectivity LED light on the power supply has several modes:

1. Flashing **blue** light - waiting for Bluetooth® connection.
2. Steady **blue** light - connected via Bluetooth®.
3. Flashing **green** light - power supply is connected to your home/pool Wi-Fi® network and trying to connect to the cloud.
4. Steady **green** light - power supply is now connected to the Wi-Fi® network and to the cloud.
5. Alternating **blue** and **green** light - power supply is connected via Bluetooth® and to the cloud. Appear also while using the remote-control.

On/Off LEDs

1. Steady **blue** light - Power supply is ON, and the pool cleaner is working.
2. Flashing **green** light - waiting for the next operation (delay mode or weekly timer).
3. Alternate **blue/green/red** lights – program updating remotely.
Please wait until process is completed.
4. Steady **red** light – error. Refer to troubleshooting.
5. Orange light - Filter is clogged up. Please clean the filter.

Tips

- If the app is stuck on the same screen for over 2 minutes, close the app and re-open it. Suggest also to unplug - replug the power supply.
- To test your Wi-Fi® signal strength and quality, play a video via your smart device browser.

Power supply On/Off button features:

1. Operating - Press the On/Off button for up to 5 sec.
2. Quick start - This feature activates a specific feature via the power supply.
*In selected models, these features can be changed via the app.
To activate the quick start feature, press and hold the On/Off button for 5 sec.
The blue led light will blink 3 times.
3. Automation mode - This feature allow you to connect to your smart-home.
To activate the automation mode, press and hold the On/Off button for 15 sec.
The blue led light will blink 3 times.

10. ADVANCED FEATURES

Temperature sensor

This Dolphin robotic pool cleaner has a unique sensor that lets you know the water temperature.

The sensor shows the temperature in Celsius and Fahrenheit.

Degree range: 6°-38° Celsius (C), 42.8°-100.4° Fahrenheit (F)

Filter gauge

This feature shows you 5 levels of filter mode, and how clogged the filter is, due to a load of dirt or a certain element getting stuck inside the filter.

This is highly important for the efficient operation of the filter and its preservation over time.

The feature can be activated through the **MyDolphin™ Plus** app.

In / Out of water sensor

This feature enables you to know whether the pool cleaner is inside or outside the pool water.

Before activating this feature, a calibration is needed. To calibrate, please follow the steps as shown in the app.

11. TROUBLESHOOTING



Unplug the power supply before performing any action.



Symptom	Possible reason	Corrective action
The power supply or its switch LED are not working.	<ul style="list-style-type: none"> No voltage in the power socket in the wall. The power supply is not switched ON. The power cable is not properly connected to the power supply inlet. The Ground Fault Interrupter is switched OFF (closed). 	<ul style="list-style-type: none"> Check that there is voltage in the power socket in the wall. Check that the power supply is plugged in and turned ON. Check that the power cable is securely connected all the way into the power supply. Turn the power supply OFF. Wait 30 seconds, then turn it back on.
The Robotic Pool Cleaner does NOT move.	<ul style="list-style-type: none"> The floating cable is not properly connected to the power supply outlet. Make sure that the power supply is ON. An obstacle is blocking the impeller, tracks, or wheels. 	<ul style="list-style-type: none"> Check that the floating cable is securely connected to the power supply. Unplug the power supply. Open the impeller cover and check that nothing is trapped in the impeller. Verify that nothing blocks the tracks or wheels.
The Robotic Pool Cleaner is moving in circles.	<ul style="list-style-type: none"> Clogged filter basket. Debris stuck in the impeller house or impeller cover. Power supply incorrectly positioned. Algae buildup or pool water does not meet specifications. 	<ul style="list-style-type: none"> Clean the filter basket. Remove debris stuck in the impeller house or impeller cover (see illustrations 6.3.1 to 6.3.4). Place power supply in a position that enables the Robotic Pool Cleaner to freely reach the entire pool area. Correct pool and water conditions.
The Robotic Pool Cleaner does not turn or moves in one direction only.	<ul style="list-style-type: none"> Debris stuck in the impeller house or impeller cover. 	<ul style="list-style-type: none"> Remove debris stuck in the impeller house or impeller cover (see illustrations 6.3.1 to 6.3.4).
The Robotic Pool Cleaner moves but does not clean the pool.	<ul style="list-style-type: none"> Clogged filter basket. Debris stuck in the impeller house or impeller cover. 	<ul style="list-style-type: none"> Clean the filter basket. Remove debris stuck in the impeller house or impeller cover (see illustrations 6.3.1 to 6.3.4).
The Robotic Pool Cleaner cleans only part of the pool.	<ul style="list-style-type: none"> Power supply incorrectly positioned. Not enough floating cable is released for the correct operation of the Robotic Pool Cleaner. 	<ul style="list-style-type: none"> Place the power supply in a position that enables the Robotic Pool Cleaner to freely reach the entire pool area, while verifying a minimal distance from the pool of 3.5m / 12ft and minimal height above the ground of 11cm / 4in. Check that there is enough slack in the floating cable for the Robotic Pool Cleaner to reach the entire pool. Clean the filter basket.
The Robotic Pool Cleaner doesn't climb the walls.	<ul style="list-style-type: none"> Clogged filter basket. Algae on walls. Unsuitable pH level. Debris stuck in the impeller house or impeller cover. 	<ul style="list-style-type: none"> Clean the filter basket. Check the level of chemicals in the water. Improper levels may allow the growth of algae, making the walls slippery. If so, adjust the levels and scrub the walls. Remove debris stuck in the impeller house or impeller cover (see illustrations 6.3.1 to 6.3.4).

Symptom	Possible reason	Corrective action
Can not connect to your Wi-Fi®, and the communication LED is blinking Green.	<ul style="list-style-type: none"> The power supply is too far from the router (weak signal) or your router is not working properly. 	<ul style="list-style-type: none"> Reset the power supply (disconnect the power cord), and wait 1 min. Check that your smartphone has a strong Wi-Fi® connectivity near the power supply (try to play any online video streaming application). Check the home router if it's working properly. Locate the power supply to be as closer as possible to the home router. Consider installing a Wi-Fi® extender (2.4Ghz) to ensure that you have a sufficient signal strength. Note: In case the communication LED is still blinking Green, you have the option to connect via Bluetooth®.
Can not connect to your Robotic Pool Cleaner via Bluetooth®, and the communication LED is blinking Blue.	<ul style="list-style-type: none"> The power supply is too far from the smart device, or your Bluetooth® is disabled, or not working properly. 	<ul style="list-style-type: none"> Try to turn Off and then On the Bluetooth® in your smartphone For IOS – Go to settings → Bluetooth®. For Android – Go to slider and turn Off/On the Bluetooth® icon. Get closer to the power supply. Ensure that you don't have any obstructions or obstacles between you and the power supply. Turn the power supply Off and then ON. If none of the above troubleshooting helps, then contact the dealer for further support. Try to unplug the power supply for a minute, and turn it back on.
Steady Orange light on the power-supply unit. * In selected models only	<ul style="list-style-type: none"> Filter is clogged up. 	<ul style="list-style-type: none"> Please clean the filter. We highly recommend cleaning the filter basket after each cleaning cycle.

12. MyDolphin™ Plus App - TROUBLESHOOTING

Note:

- Before using the app, make sure you have Cellular connection 3G/4G/5G or Wi-Fi®, with strong signal strength
- Power supply support 2.4Ghz ONLY
- Bluetooth® has to be enabled on your smart device

Action	What To Do
Pool cleaner does not connect to Wi-Fi®, and the power supply is flashing green light.	power supply is trying to connect to your home/pool Wi-Fi® network and cloud. 1. Weak internet signal. 2. Get the power supply closer to the Wi-Fi® source. 3. Consider use Wi-Fi® extender for a stronger signal.
Second connection after losing router/ Wi-Fi®: How to change to Bluetooth® after first Wi-Fi® /3G connection.	Losing router/ Wi-Fi®: 1. Open the app. The "our cloud services seems to be down" message will appear (can take a few seconds) and the globe on the top bar will turn red. 2. Scroll down and click "choose another solution" which will direct you to the Bluetooth® option. (*this solution will be a one-time solution. Note that in order to continue with Bluetooth® connection, the end user must be near the robot). 3. The app will connect to Wi-Fi® automatically when the connectivity returns. If it doesn't reconnect, restart the app. 4. If network interruptions continue, try to improve the quality of the home router signal (move closer to the router).
Initial connection. How to connect with Bluetooth® only.	Before you start: CONNECT VIA Wi-Fi®, 3G/4G MUST BE OPEN 1. Plug in the power supply. 2. Connect the robot to the power supply. 3. Download the new MyDolphin™ Plus app. 4. Login to the app and allow the required permissions. 5. Scan the QR code and follow the app instructions. 6. Click "go online" (at this stage, iOS users need to minimize the app and re-open it. Android users can click "choose network" and "Later").
How to change to Wi-Fi® after initial Bluetooth® connection.	1. Make sure your Bluetooth® and Wi-Fi® are enabled. 2. Open the MyDolphin™ Plus app and connect to the robot via Bluetooth®. 3. Go to Settings and click "Wi-Fi® Settings". 4. Follow the app instructions to go online.
Changing your Wi-Fi® network.	Router was replaced 1. Log into the app → you will see a connection error. 2. Go to "settings" at the top bar on the screen. 3. Go to "Wi-Fi® settings" → Click "change Wi-Fi® network" → "change to the new Wi-Fi® network" (enter the Wi-Fi® name and passcode) → Click "continue" and wait to receive notification that the robot has been configured to the new Wi-Fi®. 4. Simultaneously, the LED color on the power supply will turn solid green (this is the confirmation that the Wi-Fi® is connected).
For Android users. Power supply replacement for new Wi-Fi® connection.	New power supply for a robot connected through Wi-Fi® 1. Turn on the power supply while it is connected to the robot and let it work for several seconds (it will sync with the robot). 2. Login to the app. A connection error message will appear. 3. Go to "check other solutions". 4. Click on the Bluetooth® icon in the top bar. 5. Click "change connectivity", "set Wi-Fi® connectivity" and then "go online". 6. Enter your Wi-Fi® name and password. You see the home screen. The power supply LED will flash green . 7. At the end of the process, you should see a solid green light.

Action	What To Do
<p>For iOS users. Power supply replacement for new Wi-Fi® connection.</p>	<p>New power supply for a robot connected through Wi-Fi®</p> <ol style="list-style-type: none"> 1. Turn on the power supply while it is connected to the robot and let it work for several seconds (it will sync with the robot). 2. Login to the app. A connection error message will appear. 3. Go to "settings", on the top bar → click on "robot details" → "disconnect from the robot" → "proceed" → "search for nearby robots" → your robot" → click on "change connectivity" → "set Wi-Fi® connectivity" → "go online". 4. Enter your Wi-Fi® name and password.
<p>Motor unit replacement for unit that was not reported to the support system by the technician.</p>	<ol style="list-style-type: none"> 1. Disconnect the power supply from the wall socket before use. 2. After replacing the motor unit (MU), reconnect the power supply to the wall socket and turn on the power supply. Let the robot work for several seconds. 3. Open the MyDolphin™ Plus app. You will see a connection error. 4. Go to "settings" in the top bar → "robot details" → "disconnect from the robot" → "Proceed" → "search for nearby robots" find and select the "new Dolphin MU s/n" → a "is this your robot?" message will appear. After checking the s/n number, press "Yes this is my robot" → The MU will link to robot and the app → home screen. <p>If you do not recognize the serial number, press to add the robot s/n manually or scan the QR Code.</p>

If none of these solutions do not solve your problem, contact **Maytronics Customer Care:**

North America

1-888-365-7446 ext. 1002
customersupport@maytronicsus.com

France

+33 (0)4 42 98 14 90
support@maytronics.fr

Australia, NZ, South Africa

1 300 693 657
infoau@maytronics.com

Rest of the world / Maytronics HQ

00 800 69694141 (toll free number)
00 972 77 96 14 204 (international call)
wecare@maytronics.com

For full information and additional troubleshooting please visit us at: www.maytronics.com

Trademark Attributions

The Bluetooth® word mark and logos are registered trademarks owned by Bluetooth® SIG, Inc. and any use of such marks by Maytronics Ltd. is under license. Other trademarks and trade names are those of their respective owners.