

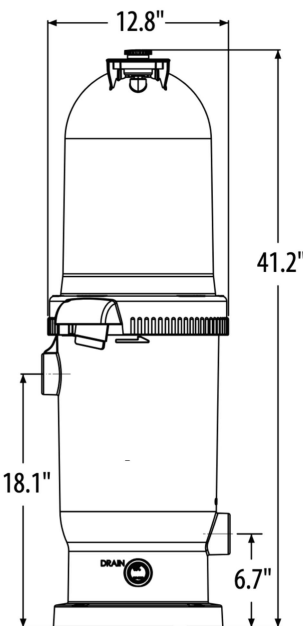
CARTRIDGE FILTER - 200 SQ. FT.



Designed for in-ground or above ground installations, the Genesis Cartridge Filter has a raised inlet for easy plumbing from the pump. Molded of ABS thermoplastic material for exceptional performance and long life, will provide years of dependable service.

FEATURES //

- 2" FPT inlet and outlet for more flow.
- Raised inlet for easier plumbing from pump.
- Large air relief valve makes service faster and easier.
- Lid lock-ring handle makes removing the lid easy and safe.
- Internal designed for more dirt holding capacity and longer cleaning cycles.
- Drain plug is 3/4". Can install a standard 3/4" hose valve for draining.
- "Start-Service" dial on stainless steel pressure gauge.
- Molded ABS thermoplastic takes up very little room on any equipment pad.



Roll bar handle and heavy duty manual air relief valve

Model #	Filtration Area	Flow Rate	6 Hours	8 Hours
GPPCCF200	200 sq. ft.	150 GPM	45,000	60,000