

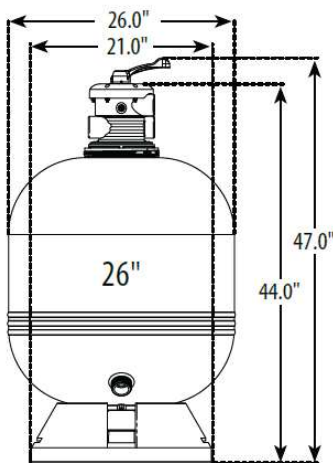
SAND FILTER - 26" 3.5 SQ. FT.



Designed for extra sand holding capacity. Made of corrosion proof polymeric thermoplastic, our sand filter offers the ideal combination of high performance and excellent water clarity. An excellent choice for above ground or in-ground pools

FEATURES //////////////////////////////////////

- Large filter with extra sand-holding capacity.
- Durable roto-molded oval tank body distributes pressure evenly, resulting in greater strength and longer life of the filter.
- One-piece corrosion proof body.
- High Flow internal diffuser for even water distribution
- 7-position Multi-Port Valve.
- 1 1/2" drain port.
- Mounting base included.



Filter Type:	High-rate Sand - No. 20 silica
Filter Tank:	Molded polymeric
Under Drain:	360° self-cleaning slotted laterals threaded
Control Valve:	7-Position, top-mount, multi-port with lever-action handle
Valve Fastening:	Split-nut thread design
Mounting Base:	Molded thermoplastic

Model #	Effective Filtration	Design Flow Rate	6 Hours	8 Hours	10 Hours	Sand Required
GPFS02629	3.5 sq. ft.	70 GPM	25,200	33,600	42,000	400 lbs.