

IN-GROUND SINGLE SPEED PUMP



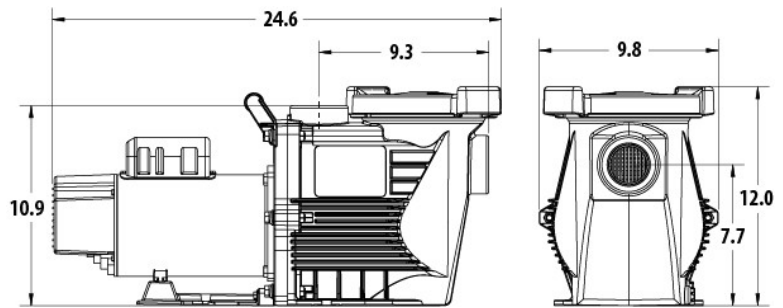
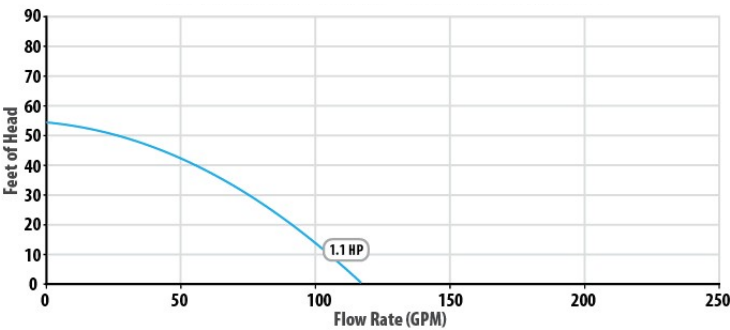
Comes with base for IntelliFlo®

Our pumps boast maximum efficiency and outstanding performance, at a tremendous value. These American made pumps utilize state for the art energy saving technology, while providing quiet, quality filtration for your pool.

FEATURES //

- One of the quietest pumps in the industry
- 1.10 HP Single Speed
- Direct drop-in replacement for Super Pump® / SuperFlo®
- D.O.E. and C.E.C. Compliant
- Silicon Carbide Viton Shaft Seals provide for superior wear and chemical resistance
- 2 self-aligning pump unions

Performance Curves



| Model # | THP | Volts | Weight |
|---------|------|---------|---------|
| GPPD110 | 1.10 | 110/230 | 38 lbs. |