

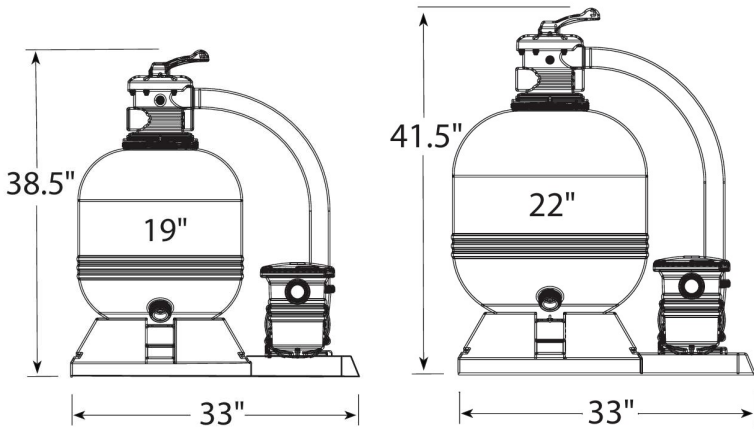
SAND SYSTEMS - SINGLE SPEED

Designed with the ideal combination of high performance and excellent water clarity. The Sand Filter and Pump Pack System provides everything needed for an above ground pool package.



FEATURES //////////////////////////////////////

- Pump and filter performance matched to provide optimum flow and energy efficiency.
- New 7 position Heavy-Duty multiport valve made of fiber reinforced polypropylene.
- All the hoses, fittings and clamps needed for installation.
- Pump, filter and mounting bases included.
- Long-lasting stainless steel pressure gauge.
- New easy to use threaded clamping system.
- High strength blow molded tanks.
- Genesis 48-Frame high performance single speed pump, this pump features high flow rates for faster filtering cycles.



Model #	Diameter	HP SPL	Cord
GP52053373S	19"	2.0	3' Twist-Lock
GP52053473S	22"	2.0	3' Twist-Lock

Pumps and replacement motors that are single speed and one (1) total HP or greater cannot be sold, offered for sale, or installed in a residential pool for filtration use in California, Title 20 CCR sections 1601-1609.