



# S3 Replacement PCB

## GLXS3PCB

### Background

The GLXS3PCB is a replacement main printed circuit board (PCB) for the AQRS3 line of chlorinators. The GLXS3PCB replaces the original PCB in these products. To replace the board, follow the replacement procedure below. Please verify that the replacement PCB matches the original board before you begin.

### Contents of Kit

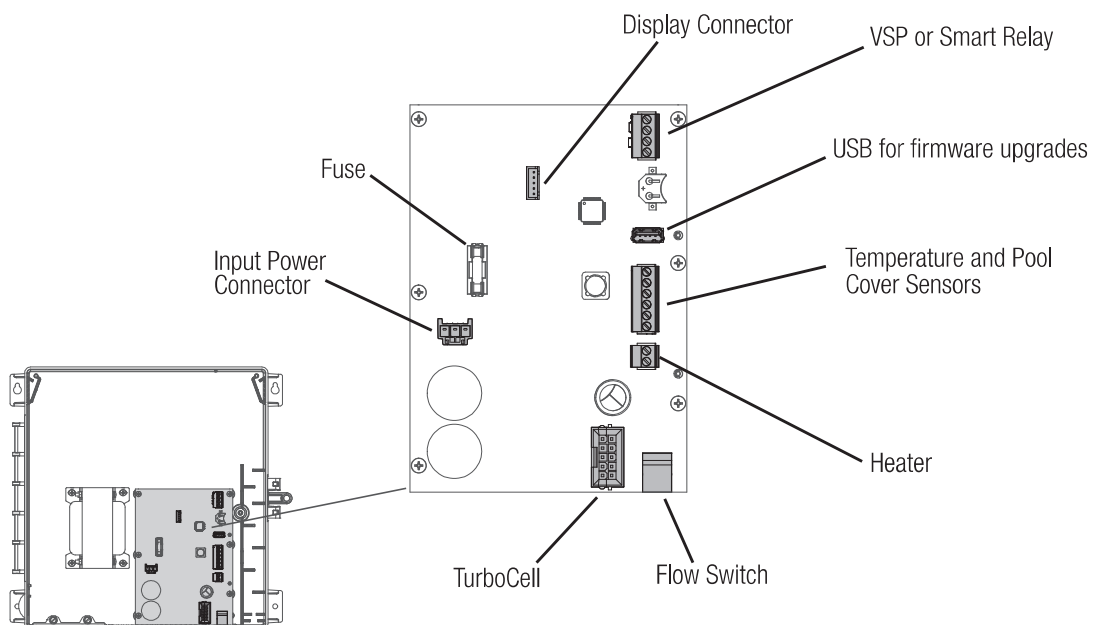
- 1 GLXS3PCB main circuit board
- 3 Replacement terminal blocks (if needed)
- 1 Input power connector cable (if needed)
- 6 Phillips head screws (if needed)
- 2 Replacement fuses (if needed)

**WARNING:** Disconnect all AC power at the main breaker before attempting to replace the PCB. Use a voltmeter to verify that the main supply input has been entirely removed from the control. Use appropriate energy lock-out procedures to be certain nobody restores power during the following procedure.

### Procedure

Follow the steps below.

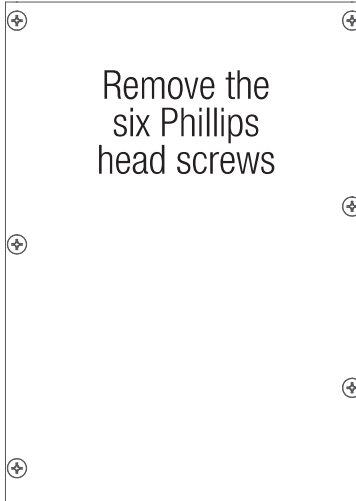
1. To remove the plastic cover panel, pull the display away from the panel by grasping it with your hand (no tools required). to reveal a hidden screw. Then, remove the 3 screws and pull the plastic panel away from the enclosure. The main circuit board and transformer are now exposed. It is not necessary to disconnect the display wiring connector but removing the display may offer more room to work within the enclosure.
2. Remove the existing connections from the main circuit board shown below. Note that the green sensor, heater and VSP screw terminal blocks will fit on the new PCB. Rather than remove each conductor from the screw terminals, pull up on the entire terminal block to remove.



Hayward Industries  
 400 Connell Drive, Suite 6100  
 Berkeley Heights, NJ 07922  
 Phone: (908) 355-7995  
[www.hayward.com](http://www.hayward.com)



3. Remove all six screws that fasten the PCB to the enclosure.



4. Remove the old PCB and install the GLXS3PCB in its place. Use the six Phillips head screws to fasten the GLXS3PCB to the enclosure. Do not over tighten.
5. Reconnect all of the original wiring connections to the GLXS3PCB.
6. Re-install the plastic cover panel and display.
7. The AQRS3 chlorinator can now be powered up. Because operation and configuration settings are stored on the PCB, you'll have to reconfigure the AQRS3 as if it was new. For configuration and setup information, refer to the AQR S3 Owner's Manual which can be found at [www.hayward.com](http://www.hayward.com)



Hayward is a registered trademark, AQRS3 are trademarks of Hayward Industries, Inc. © 2021 Hayward Industries, Inc.

All other trademarks not owned by Hayward are the property of their respective owners. Hayward is not in any way affiliated with or endorsed by those third parties.