

MaxFlo[®] XE

Ultra-High Efficiency Pumps

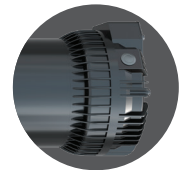
**INDUSTRY-LEADING EFFICIENCY
AT AN INCOMPARABLE PRICE**

THE ENERGY EFFICIENCY YOU NEED, THE VALUE YOU WANT.

For pool owners looking for impressive energy savings in a pump that costs a lot less, MaxFlo XE ultra-high efficiency pumps are a great find. Selectable speed options create powerful cost savings without a lot of hassle. With its easy installation, dual-voltage capability and durable design that's up to 30% lighter weight than competitive VS models, MaxFlo XE is the best way to install an affordable pump that complies with Dept. of Energy regulations in any new or existing pool.

KEY FEATURES

- » **Industry-leading efficiency** exceeds DOE benchmarks and efficiency of many competitive VS pumps
- » **Easily programmable** with up to 6 selectable speeds
- » **Dual-voltage capability** (230V/115V) offers more versatility for installation
- » **Chemical-resistant Viton[®] seal** offers improved resistance against chemical imbalances
- » **Simple installation** with up to 2" shorter length than single-speed models, standard 1.5" x 2" unions and no additional equipment requirements



Simple button programming
easily switches between speeds



Watch the video at hayward.com/xe

EXPERT LINE[™]
ONLY FROM POOL PROS



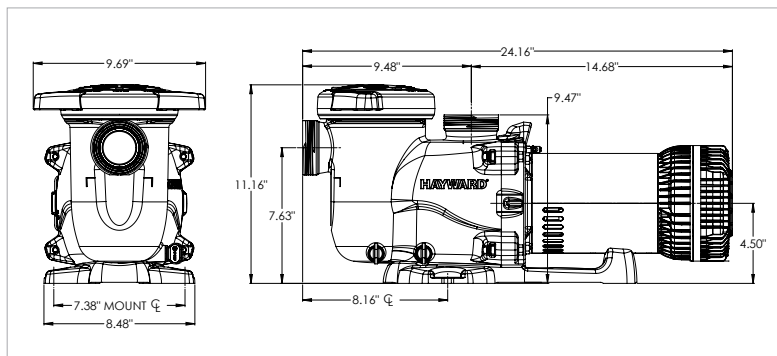
SPECIFICATIONS

MODEL NUMBER	TOTAL HP	SPEED RANGE	VOLTAGE	WEIGHTED ENERGY FACTOR (WEF)*	WARRANTY
SP2310X15XE	1.65	40-100%	230/115V	9.7/9.7	3 years**
SP2315X20XE	2.25	40-100%	230/115V	8.4/8.7	3 years**

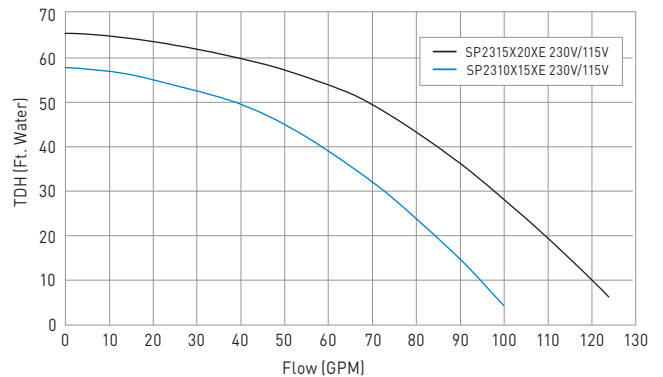
*The higher the weighted energy factor (WEF), the more efficient the pump. Visit hayward.com/regulations for more information.



**When sold by a Totally Hayward[®] Partner. Exclusions, other terms and conditions may apply—visit hayward.com/expert for details.

MAXFLO XE DIMENSIONS (INCHES)



MAXFLO XE MAX SPEED PERFORMANCE COMPARISON



MaxFlo XE pumps are listed by:  

» hayward.com » 1-888-HAYWARD | Pumps » Filters » Heaters » Sanitization » Automation » Lighting » Water Features » Cleaners » Safety

Hayward, Hayward & Design, the H logo, Expert Line, MaxFlo and Totally Hayward are registered trademarks and We Build Better. is a trademark of Hayward Industries, Inc. ENERGY STAR is a registered mark owned by the U.S. government. All other trademarks not owned by Hayward are the property of their respective owners. Hayward is not in any way affiliated with or endorsed by those third parties. © 2021 Hayward Industries, Inc.

eLITMFxE21