

## PowerFlo II<sup>™</sup>

SELF-PRIMING ABOVE-GROUND  
POOL PUMP SERIES



### Reliable performance and quiet operation

- Self-priming
- Heavy-duty motor with stainless steel motor shaft and automatic thermal overload protector for maintenance-free operation
- Durable corrosion-proof housing for all-weather performance and quiet operation
- Heat-resistant double sized seal for long motor life
- Unique, integral diffuser ensures rapid priming



**Clear Cover**  
lets you see when the basket needs cleaning

**Extra Large Basket**  
extends time between cleaning

**Heavy Duty Motor**  
offers proven performance and quiet operation

**Integrated Self-Priming**  
capability



## ABOVE-GROUND POOL PUMP SERIES

The Power-Flo II is a versatile, self-priming pump designed to meet the varying specifications of above-ground and on-ground swimming pools.

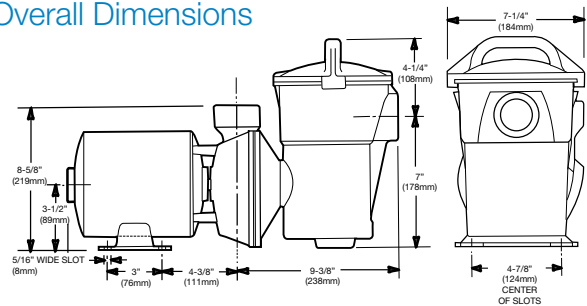
The Power-Flo II incorporates features usually found only on higher priced in-ground pumps such as self-priming ability, a large 91 cubic-inch strainer basket, a heavy duty motor with stainless steel shaft, and a quick-release “see-thru” strainer cover.

Durable and economical, the Power-Flo II continues to set the standard for value and performance for above-ground pumps.

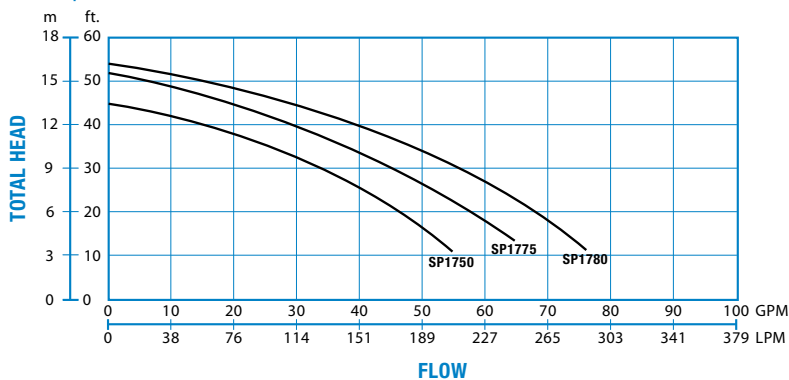
### Power-Flo II Specifications

Model	Motor HP	Power KW	Inlet/Outlet
SP1750	1/2	0.37	1 1/2"
SP1775	3/4	0.56	1 1/2"
SP1780	1	0.75	1 1/2"

### Overall Dimensions



### Pump Performance



Super-size 91-cubic-inch basket has extra leaf-holding capacity and extends time between cleanings. Rigid construction with load-extender ribbing ensures free-flowing operation for heavy debris loads.

To take a closer look at Hayward Pumps or other Hayward products, go to [www.hayward.com](http://www.hayward.com) or call 1-888-HAYWARD.

