

## CARE AND OPERATING INSTRUCTIONS FOR COVER-CARE™ MODELS 350 AND 500 PUMPS

ITEM'S# 02555, 02533

### FEATURES

The pump is a magnetically driven centrifugal water pump. It has no seals to wear and contains no oil. The pump has a garden hose thread on the pump outlet. A garden hose can be used to direct the water away from the pool. Place the pump where the water is the deepest. Bear in mind that the pump cannot pull water up from a lower level unless submerged and filled with water when starting. Should the pump not start pumping, disconnect electric, wiggle hose a few times and try again. All electrical components are encapsulated in epoxy with no seals to wear or break. The energy used is approximately 1/2 of regular motor driven pumps. The prefilter is provided for use in situations where deposits in the water could clog or damage the pump. This helps give uninterrupted service.

### PREFILTER

A prefilter is supplied. The primary purpose is to prevent blockage of the pump by leaves etc. The prefilter may need occasional cleaning and eventual replacement. Do not use pump without prefilter to prevent blockage and impeller damage.

### SERVICE AND MAINTENANCE

Magnet impeller assembly must be routinely removed for cleaning with Pumpguard™ to remove accumulations of scale or calcium. This procedure should be done at least once every three months - or more often if the water conditions require it. Disassemble magnet from impeller by pulling them apart (it may take a strong pull). One end cap will come off. To clean the calcium scale off the shaft and bearing inside of the magnet, soak in Pumpguard™ (sold separately). Rinse and reassemble magnet/impeller assembly. Do not lose any washers located between the end cap and impeller.

Pumps taken out of service for an extended period with fluid inside run the risk of forming a crust which may prevent subsequent starting. Always check cord for sharp bends which can cause premature cracking. Do not use power cord to lift or move pump.

**Do not run pump dry for more than 15 minutes - damage will occur. This type of damage voids warranty.**

**Pondmaster Pumpguard - 4oz. (#03905), 32 oz (#03907), 1gal. (#03909)**

**Supreme Pumpguard for Hydroponics - 4oz. (#40770), 32 oz (#40771), 1gal. (#40773)**

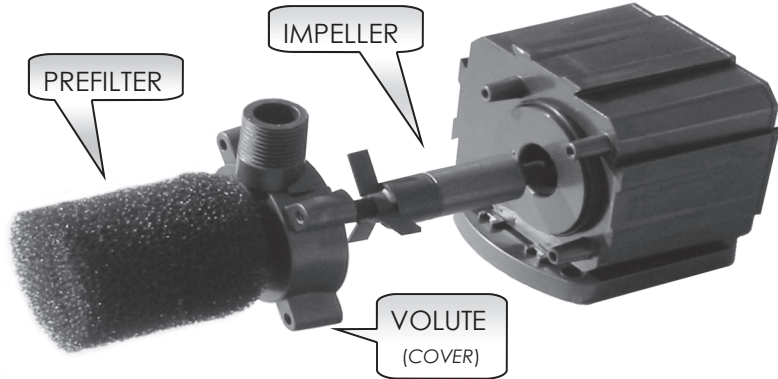
**Supreme Pumpguard for Aquarium - 4oz. (#06331), 32 oz (#06335)**

### ELECTRICAL PRECAUTIONS

Always use a properly grounded outlet. Do not immerse plug in water. DO NOT REACH INTO WATER TO REMOVE PLUG. TURN OFF CIRCUIT FIRST. A "drip loop" should be provided. The "drip loop" is a loop in the cord below the level of the receptacle or plug that prevents water from traveling along the cord. The National Electric Code requires that a ground fault circuit interrupter (GFCI) be installed in the branch circuit supplying fountain or pond equipment. Your dealer can supply GFCI units. NEVER REMOVE GROUND PIN FROM PLUG. **WARNING; FOR YOUR PROTECTION ALWAYS UNPLUG THE UNIT FROM ITS POWER SOURCE BEFORE INSTALLING OR SERVICING. SHOULD THE UNIT APPEAR TO BE NOT WORKING DO NOT REACH, REMOVE OR DISASSEMBLE UNIT BEFORE YOU DISCONNECT POWER.** The pump is intended to pump water only. It cannot be used to pump oils, solvents, or gasoline.

# CARE AND OPERATING INSTRUCTIONS FOR COVER-CARE™ MODELS 350 AND 500 PUMPS

**YOUR PUMP MODEL # IS ON THE PUMP NEAR ELECTRICAL CORD**



**WARNING !:** POOLS AND PONDS CAN BE DANGEROUS TO SMALL CHILDREN. NEVER LEAVE CHILDREN UNSUPERVISED NEAR A POOL OR A POND!

## REPLACEMENT PARTS LIST

MODEL #	COMPLETE IMPELLER	PUMP VOLUTE	PREFILTER
MODEL 350	12556	12540	12505
MODEL 500	12576	12540	12505

**DANNER MFG. INC. 160 OVAL DRIVE, ISLANDIA, NY 11749-1489  
PHONE: 631-234 5261 WWW.DANNERMFG.COM FAX: 631-234 4778**

## LIMITED WARRANTY

Danner pumps are warranted against failure due to defects in materials and/or workmanship as follows: Pump body and cover within five years, impeller and included accessories within one year of original purchase. This warranty does not cover any replaceable filtering material supplied with the pump or filter as it is considered expendable. This warranty covers defects occurring under normal use. The warranty and remedies set forth herein are conditional upon proper installation, use, maintenance, storage, and conformance with the applicable use. It will be based upon Danner Mfg. discretion as to whether the defects are of manufacturing origin. For warranty repair, return only the part that is defective to our factory. Please include a dated proof of purchase and \$5.00 for postage and handling. Any damages due to improper installation are not covered by this warranty. This warranty does not apply to appearance or aftermarket accessory items. This warranty does not include damage due to handling, transportation, unpacking, setup, installation, repair or replacement of parts supplied by any other than Danner Mfg.; improper maintenance, modification or repairs by the purchaser; abuse, misuse, neglect, accident, fire, flood, or other acts of God. Any oral statements about this product made by the seller, the manufacturer, their representatives or any other parties do not constitute warranties and shall not be relied upon by the user and are not part of this contract. Neither the seller nor the manufacturer shall be liable for any injury, loss or damages, direct, incidental, or consequential, including but not limited to incidental or consequential damage for lost profits, lost sales, injury, and inability to use the product and the user agrees that no other remedy is available. Before using, the user shall determine the suitability of the product for their intended use and the user shall assume all risk liability whatsoever in connection therewith. TO VALIDATE THIS WARRANTY, KEEP YOUR PROOF OF PURCHASE (COPY OF SALES RECEIPT FROM A CERTIFIED POND-MASTER OR SUPREME DEALER). Warranty covers the repair or prorated replacement of the Danner Mfg. products. Danner Mfg. denies all liability for any other loss including but not limited to loss of equipment, income, livestock, vegetation or personal injury. THE FOLLOWING VOIDS WARRANTY: LINE CORD OR PLUG IS ALTERED OR CUT, PRODUCT LABELS ARE DEFACTED OR REMOVED, PRODUCT IS IMPROPERLY INSTALLED OR MAINTAINED BY USER OR THEIR AGENT. PRODUCT IS ABUSED, MISUSED, OR DAMAGED BY USER OR THEIR AGENT. PRODUCT IS NOT REMOVED FROM SERVICE AND DRIED DURING FREEZING CONDITIONS.