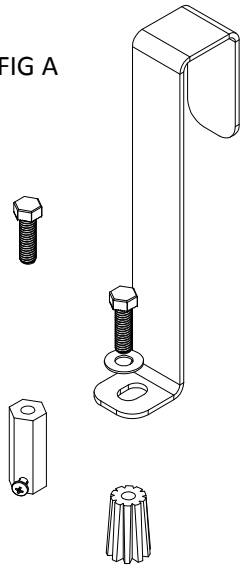


FIG A



PARTS: (FIG A)

- 800-1090 3/8-16 X 1.25" HHCS, NYLON
- 800-6037 3/8-16 X 1.25" HHCS, BRNZ
- 800-2024 3/8 FLAT WASHER
- 05-32-111 3/8 NYLON WASHER
- 200-1090 PAL SECURE IT BRCKT, WHT
- 500-5400P 1.5" LENGTH PLASTIC EPOXY ANCHOR
- 500-1090A 3/8-16 TAPPED S/S EPOXY ANCHOR

WHAT YOU NEED:

- 1" MASONRY DRILL BIT
- CONCRETE EPOXY (2500PSI MIN, ANCHORING AND REPAIR GRADE)
- COMPRESSED AIR (CANNED AIR IS SUFFICIENT)
- MOIST CLEAN RAG
- PERMANENT MARKER (Sharpie)

1. CHECK THE KIT AND MAKE SURE YOU HAVE ALL THE PARTS LISTED ABOVE.
2. WITH THE PAL IN PLACE ON THE POOL DECK, HANG THE SECURE IT BRACKET OVER THE REAR OF THE FRAME BY LIFTING UP THE COVER SLIGHTLY AND SLIDE IT DOWN AGAINST THE FRAME AS SHOWN IN FIG B.
3. HOLD THE BRACKET FLAT AGAINST THE CONCRETE AND MARK THE CENTER OF THE SLOT ON THE CONCRETE SURFACE WITH THE PERMANENT MARKER.

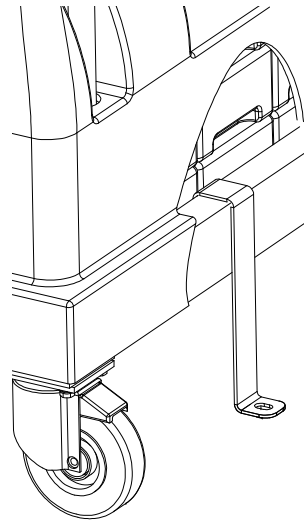


FIG. B

4. ROLL THE PAL ASIDE AND DRILL THE DECK USING A 1" MASONRY DRILL BIT. HOLE DEPTH SHOULD BE APPROXIMATELY 1.5 INCHES.
5. PERIODICALLY REMOVE DEBRI AND CHECK THE DEPTH OF THE



FIG C

HOLE WITH THE PLASTIC ANCHOR. CONTINUE UNTIL THE TOP OF THE ANCHOR IS FLUSH WITH THE DECK SURFACE. FIG C

6. ONCE FLUSH, THOROUGHLY CLEAN THE HOLE USING COMPRESSED AIR.
7. PREPARE THE EPOXY PER THE MANUFACTURER'S INSTRUCTIONS.
8. INSERT THE ANCHOR WHILE ROTATING IT SLOWLY. USE A BOLT TO PROTECT THREADS IN THE ANCHOR AND FOR HOLDING THE ANCHOR WITH YOUR FINGERS. FIG D
9. USE A MOIST CLOTH TO WIPE YOUR SURROUNDING SURFACE CLEAN AND ALLOW THE EPOXY TO CURE ACCORDING TO ITS DIRECTIONS.



FIG D

10. FOR BONDING, USE THE 500-1090A STAINLESS STEEL ANCHOR WITH A COPPER WIRE NOT SMALLER THAN #8AWG. LOCATE THE NEAREST BONDED REBAR AND ATTACH

THE COPPER WIRE SECURELY TO THE BONDED GRID. SEAL OPENINGS WITH THE SAME EPOXY THAT IS USED WITH THE ANCHOR.